



Quarter Turn Locks

Compression Locks & Latches

Handle Locks

Rod Control Locks

Electronic Locks

Canopy Locks, Handles & Door Stay

Hinges

9 Fold Accessories

Sealing Profiles

Fan Filter

Panel Fasteners

Sleeve & Termination

Wiring Accessories

Connectors

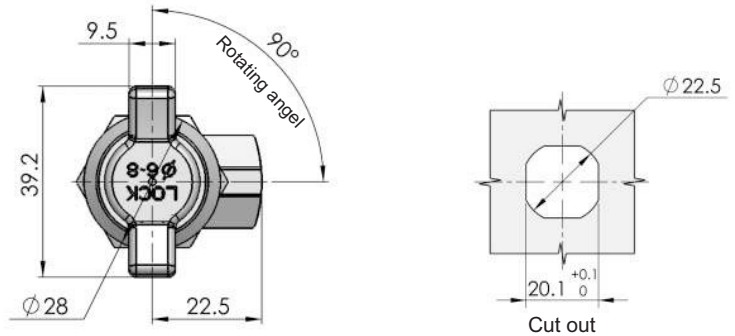
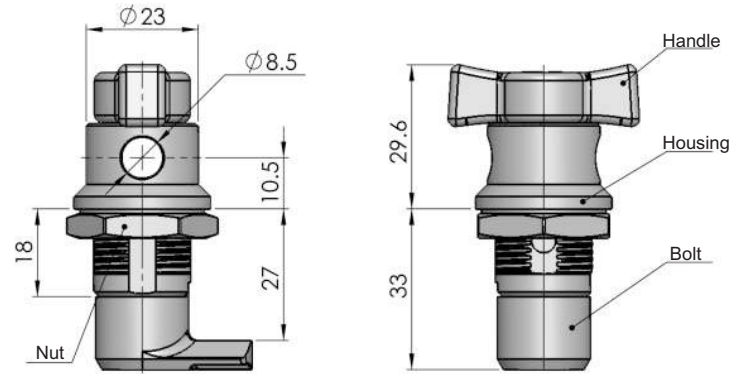
MS772



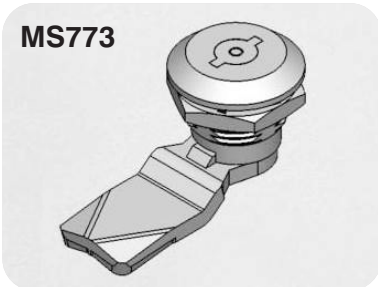
RL IP65

Main material and finish:
Blue gray powder coated (RAL 7012) ZDC housing, PA handle, white zinc-plated steel cam

Application:
Cam stop quarter-turn opening or closing, padlockable



MS773



RL IP65

Main material and finish:
Bright chrome plated ZDC housing, dust-proof cap and insert; white zinc plated ZDC nuts, white zinc plated steel cam and screw.

