



Quarter Turn Locks

Compression Locks & Latches

Handle Locks

Rod Control Locks

Electronic Locks

Canopy Locks, Handles & Door Stay

Hinges

9 Fold Accessories

Sealing Profiles

Fan Filter

Panel Fasteners

Sleeve & Termination

Wiring Accessories

Connectors

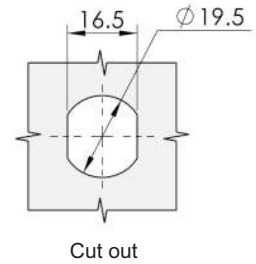
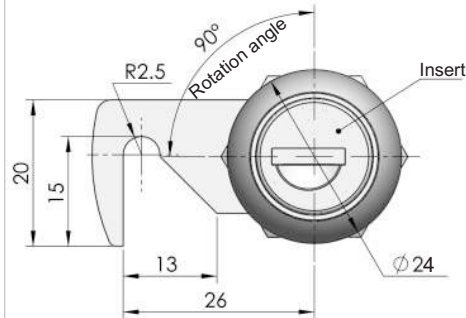
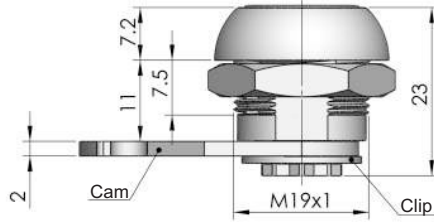


MS743

RL IP40

Main material and finish:
Bright chrome plated ZDC housing, white zinc-plated steel cam

Application:
Quarter-turn opening or closing



MS744

RL IP40

Main material and finish:
White zinc plated ZDC housing and steel cam

Application:
Quarter-turn opening or closing

