

Remarks: The default cam S1K36N06(Cut size 8x6.5)

Specification	Model
Black powder coated	MS726-1A
Bright chrome-plated housing, handle	MS726-3A
Nanometer painted housing, handle	MS726-2B



Main material and finish:

Black painted ZDC housing and handle. white zinc plated steel support and cam

Application:

Quick-open, easy assembling. H variable by adjusting nut

Quarter Turn Locks

Compression Locks & Latches

Handle Locks

Rod Control Locks

Electronic Locks

Canopy Locks, Handles & Door Stay

Hinges

9 Fold Accessories

Sealing Profiles

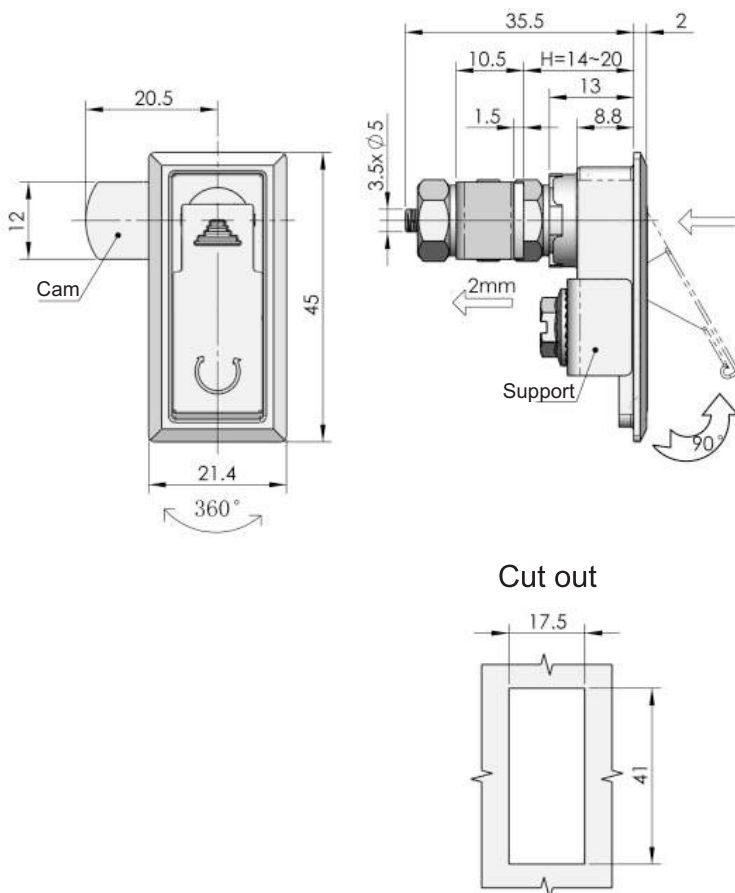
Fan Filter

Panel Fasteners

Sleeve & Termination

Wiring Accessories

Connectors



Main material and finish:

Black painted ZDC housing and handle. white zinc plated steel support and cam

Application:

Quick-open, easy assembling. H variable by adjusting nut