

Remarks: Default adjusting screw, others on request

MS718



Main material and finish:

Black powder coated ZDC housing, handle and button, ZDC insert, white zinc plated steel screw

Application:

Quick-open, easy assembling, by adjusting screw meets the need of distance control

Quarter Turn Locks

Compression Locks & Latches

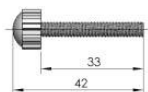
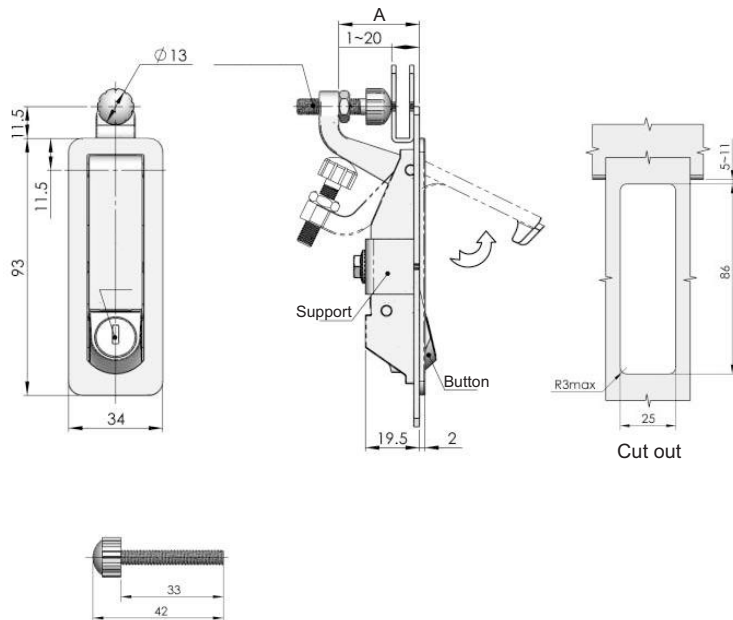
Handle Locks

Rod Control Locks

Electronic Locks

Canopy Locks, Handles & Door Stay

Hinges



Remarks: Default adjusting screw, others on request

Specification	A=29	A=50
	Model	Model
With insert	MS719-1C	MS719-2C
Without insert	MS719-1CA	MS719-2CA

MS719-1C



Main material and finish:

Black painted ZDC housing, handle, insert and button, white zinc plated steel screw

Application:

Quick-open, easy assembling, by adjusting screw meets the need of distance control

9 Fold Accessories

Sealing Profiles

Fan Filter

Panel Fasteners

Sleeve & Termination

Wiring Accessories

Connectors