

MS714-3



Quarter Turn Locks

Compression Locks & Latches

Handle Locks

Rod Control Locks

Electronic Locks

Canopy Locks, Handles & Door Stay

Hinges

RL IP65

Main material and finish :
Pocked black powder coated ZDC housing and handle, white zinc-plated steel cam

Application :
Quarter-turn opening or closing

9 Fold Accessories

Sealing Profiles

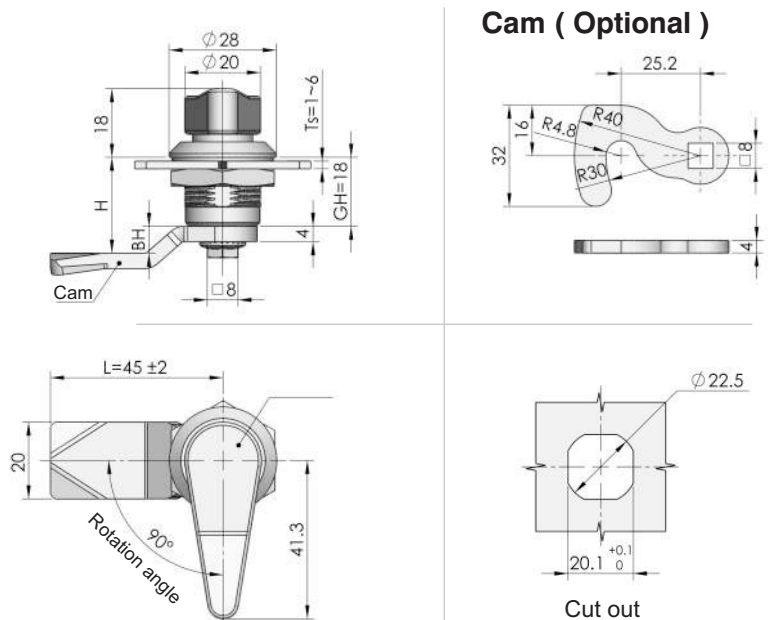
Fan Filter

Panel Fasteners

Sleeve & Termination

Wiring Accessories

Connectors



MS714-4



RL IP65

Main material and finish :
Pocked black powder coated ZDC housing, PA handle, white zinc-plated steel cam

Application :
Quarter-turn opening or closing

Specification	ZDC housing, PA handle	PA housing and handle
	Model	Model
GH=18	MS714-4-1	MS714-4A-1
GH=28	MS714-4-2	MS714-4A-2
GH=36	MS714-4-3	MS714-4A-3
GH=62	MS714-4-4	MS714-4A-4