



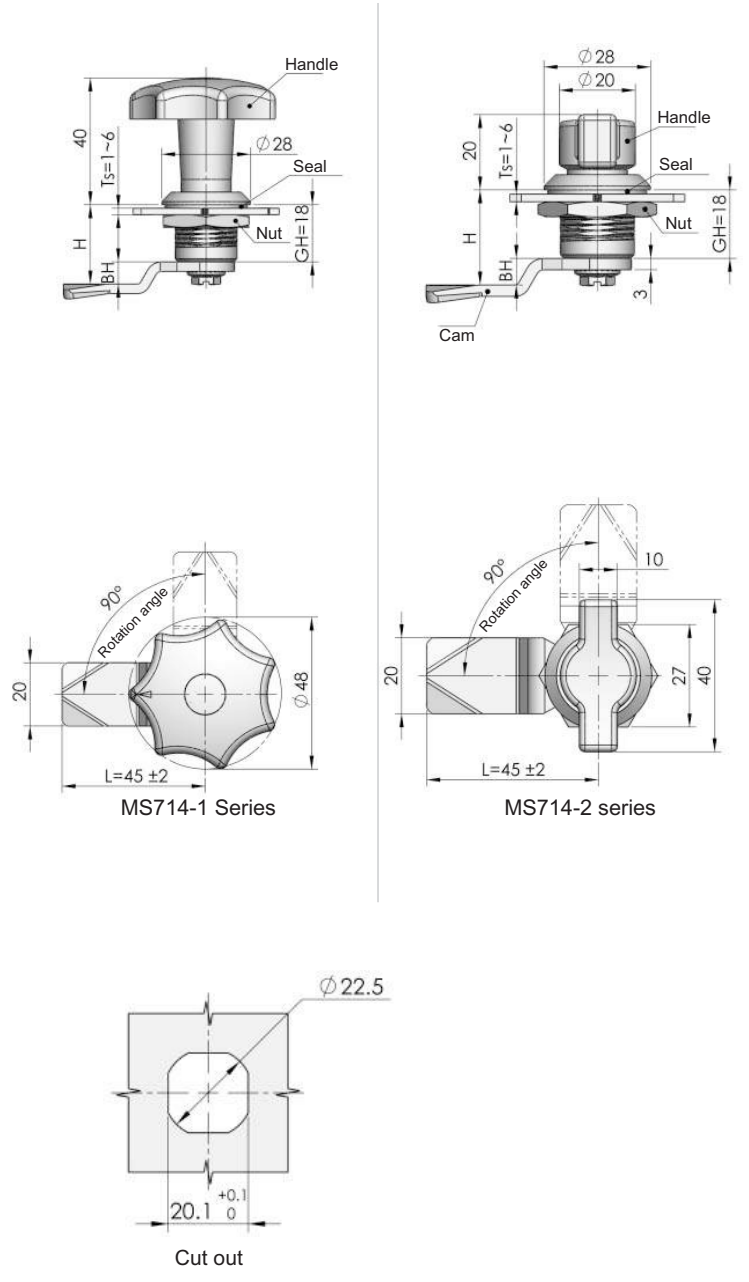
- Quarter Turn Locks
- Compression Locks & Latches
- Handle Locks
- Rod Control Locks
- Electronic Locks
- Canopy Locks, Handles & Door Stay
- Hinges
- 9 Fold Accessories
- Sealing Profiles
- Fan Filter
- Panel Fasteners
- Sleeve & Termination
- Wiring Accessories
- Connectors



RL **IP65**

Main material and finish :
Black powder coated ZDC housing or PA housing, PA handle, white zinc plated steel cam

Application :
Quarter-turn opening or closing



Specification	Knob	
	black powder coated ZDC housing, PA handle	PA housing and handle
	Model	Model
GH=18	MS714-1-1	MS714-1A-1
GH=28	MS714-1-2	MS714-1A-2
GH=36	MS714-1-3	MS714-1A-3
GH=62	MS714-1-4	MS714-1A-4

Specification	Handle	
	black powder coated ZDC housing, PA handle	PA housing and handle
	Model	Model
GH=18	MS714-2-1	MS714-2A-1
GH=28	MS714-2-2	MS714-2A-2
GH=36	MS714-2-3	MS714-2A-3
GH=62	MS714-2-4	MS714-2A-4