



**Quarter Turn Locks**

Compression Locks & Latches

Handle Locks

Rod Control Locks

Electronic Locks

Canopy Locks, Handles & Door Stay

Hinges

9 Fold Accessories

Sealing Profiles

Fan Filter

Panel Fasteners

Sleeve & Termination

Wiring Accessories

Connectors

**MS705-1W-2D**

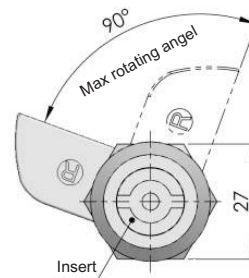
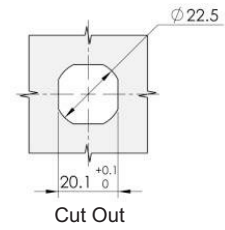
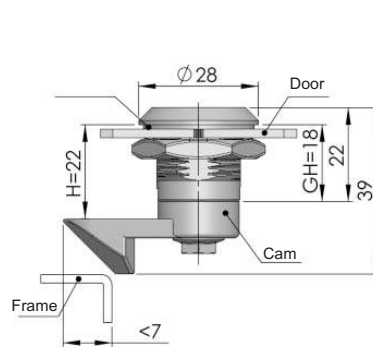


**R L**

**Main material and finish:**  
Bright chrome ZDC housing, insert and cam

**Application:**  
Quarter turn opening or closing, auto locking function

**Sealing gasket**



Specification	Model
Left hand cam	MS705-1W-2D-Z
Right hand cam	MS705-1W-2D-Y

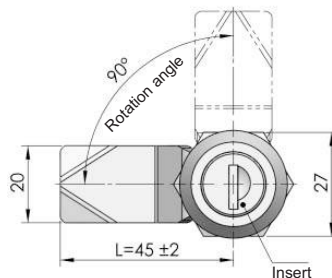
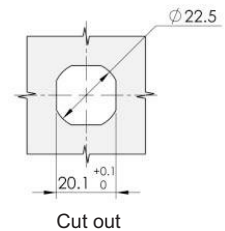
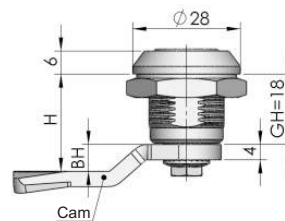
**MS705-3E**



**RL**

**Main material and finish :**  
Black powder coated ZDC housing, white zinc-plated steel cam

**Application :**  
Quarter-turn opening or closing MS705-3E



Specification	Model
ZDC housing,insert(RH-rotation)	MS705-3E
ZDC housing,insert(LH-rotation)	MS705-3E-2
PA housing,insert(RH-rotation)	MS705-3E-F