

Cut out

Specification	Model
Black powder coating ZDC	MS324-1
Stainless steel	MS324-1B



**MS324**



**Main material and finish:**  
ZDC handle and housing, steel cam

**Application:**  
Handle 90 rotation opening or closing

Quarter Turn Locks

Compression Locks & Latches

Handle Locks

Rod Control Locks

Electronic Locks

Canopy Locks, Handles & Door Stay

Hinges

9 Fold Accessories

Sealing Profiles

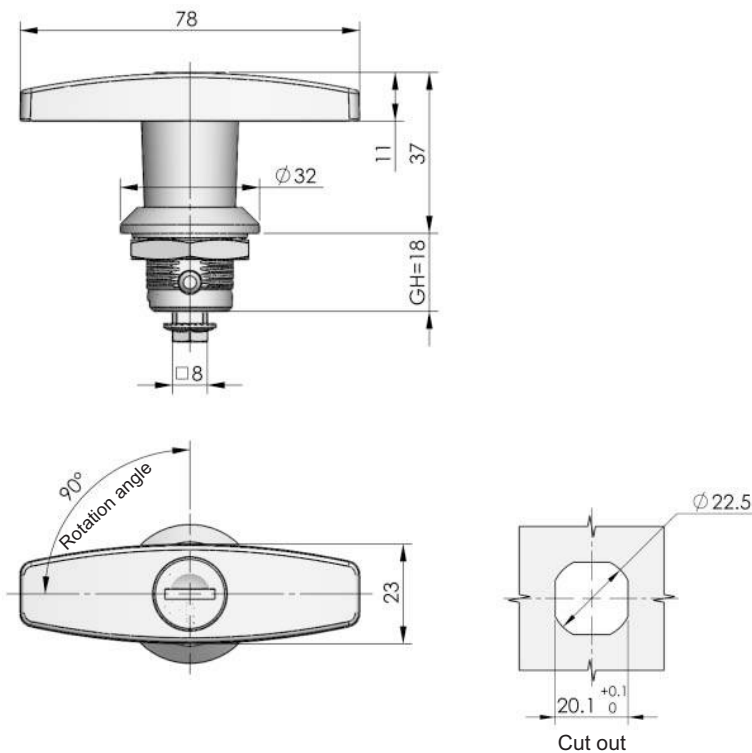
Fan Filter

Panel Fasteners

Sleeve & Termination

Wiring Accessories

Connectors



Cut out



**MS324-2**



**Main material and finish:**  
Black powder coating ZDC housing and handle, white zinc plating steel cam

**Application:**  
90 degree rotation opening or closing

Specification	Model
With insert	MS324-2
Without insert	MS324-2A