



Quarter Turn  
Locks

Compression  
Locks &  
Latches

Handle  
Locks

Rod Control  
Locks

Electronic  
Locks

Canopy Locks,  
Handles &  
Door Stay

Hinges

9 Fold  
Accessories

Sealing  
Profiles

Fan Filter

Panel  
Fasteners

Sleeve &  
Termination

Wiring  
Accessories

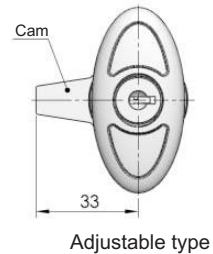
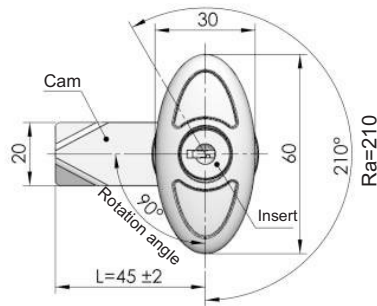
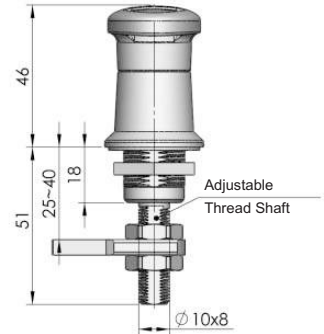
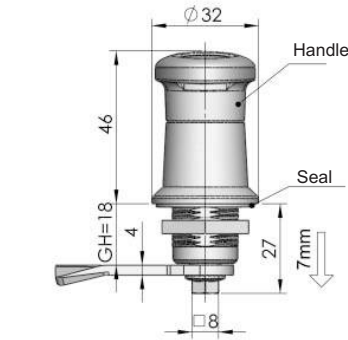
Connectors

**MS319**



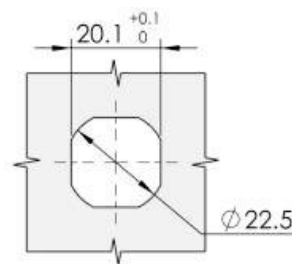
**Main material:**  
Nanometer-plated ZDC handle and housing, white zinc-plated steel shaft and cam

**Application:**  
210 degree handle rotation combines with 90 degree cam rotation



Unadjustable type

Adjustable type



Cut out

Specification	Model
With insert, unadjustable	MS319-1
Without insert, unadjustable	MS319-2
With insert, adjustable	MS319-1A
Without insert, adjustable	MS319-2A