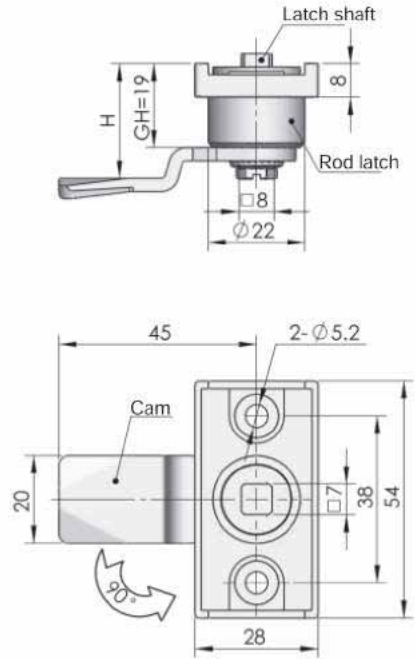
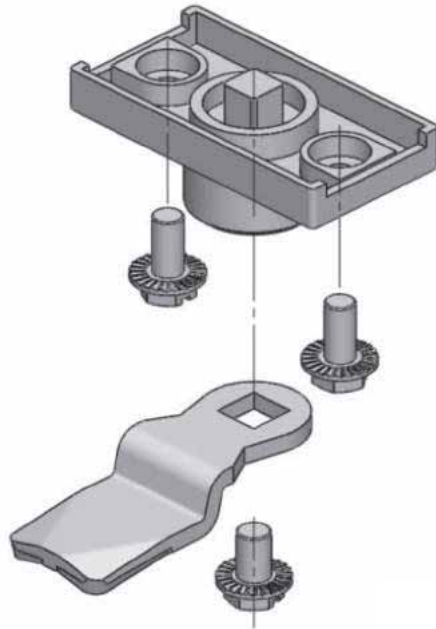


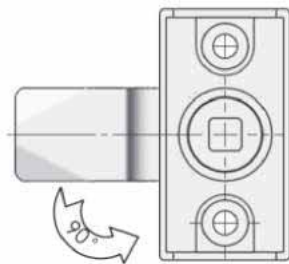


Quarter Turn Locks
Compression Locks & Latches
Handle Locks
<b>Rod Control Locks</b>
Electronic Locks
Canopy Locks, Handles & Door Stay
Hinges
9 Fold Accessories
Sealing Profiles
Fan Filter
Panel Fasteners
Sleeve & Termination
Wiring Accessories
Connectors

### Cam latch system Mb90



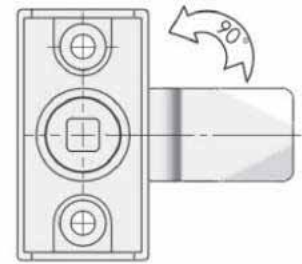
### RH and LH application example



RH, open from right rotation with handle



Keep cam and rod latch system in place while rotating the rod latch system in 180°



LH, open from left rotation with handle

