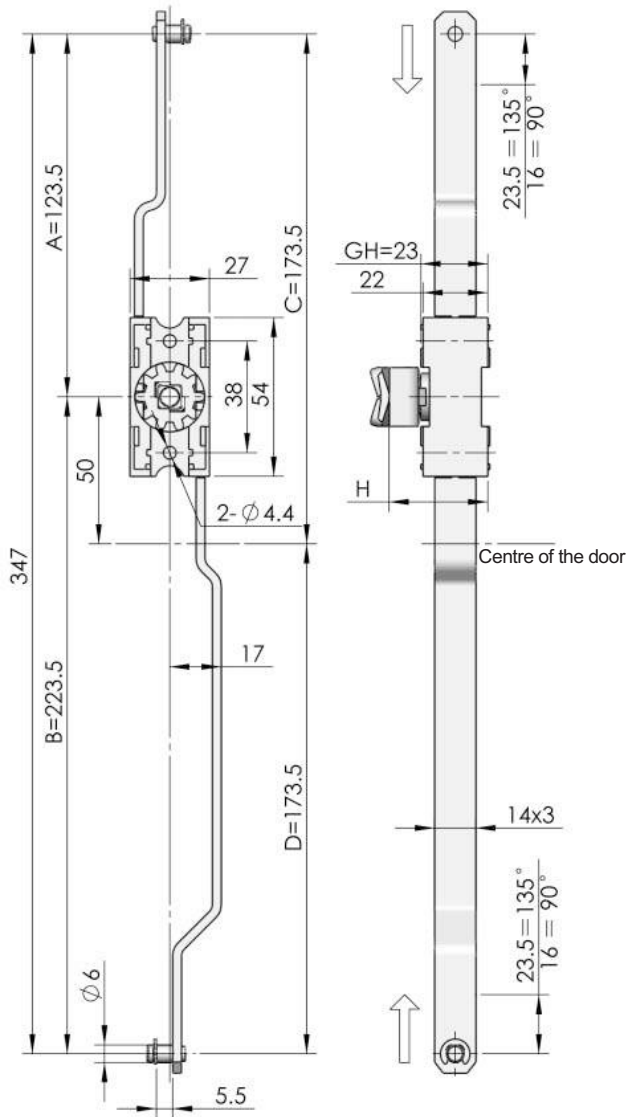




Quarter Turn Locks
Compression Locks & Latches
Handle Locks
Rod Control Locks
Electronic Locks
Canopy Locks, Handles & Door Stay
Hinges
9 Fold Accessories
Sealing Profiles
Fan Filter
Panel Fasteners
Sleeve & Termination
Wiring Accessories
Connectors

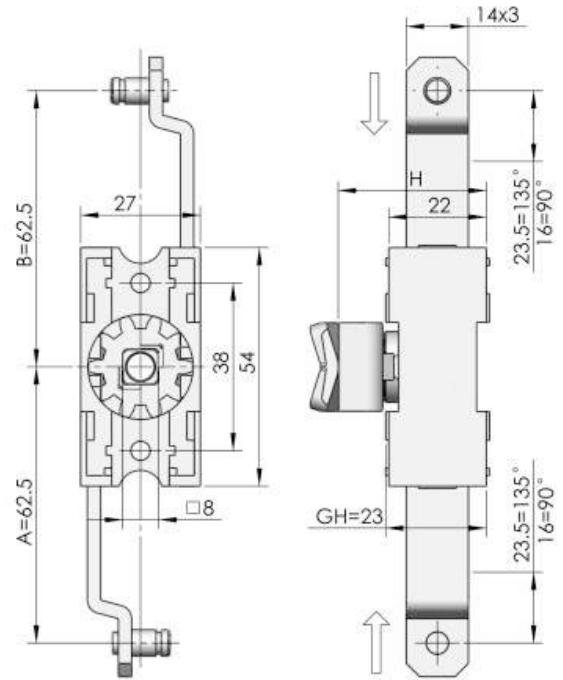
Mb4 Series



Remarks: Default rod latch system, closing position, 135 degree rotation angle, default optional cam S1B3500, cam cutout square 8mm. The rod latch system is used for the seal door-outside

Rod latch system	Dm	Ra	A	B	C	D	Specification
Mb43	23.5	135°	123.5	223.5	173.5	173.5	With cam
Mb44	23.5	135°	123.5	223.5	173.5	173.5	Without cam

Mb5 Series



Remarks: Default rod latch system, closing position, 135 degree rotation angle, default optional cam S1B3500, cam cutout square 8mm. The rod latch system is used for the seal door-outside.

Rod latch system	Dm	Ra	A	B	Specification
Mb51	23.5	135°	62.5	62.5	With cam
Mb52	23.5	135°	62.5	62.5	Without cam