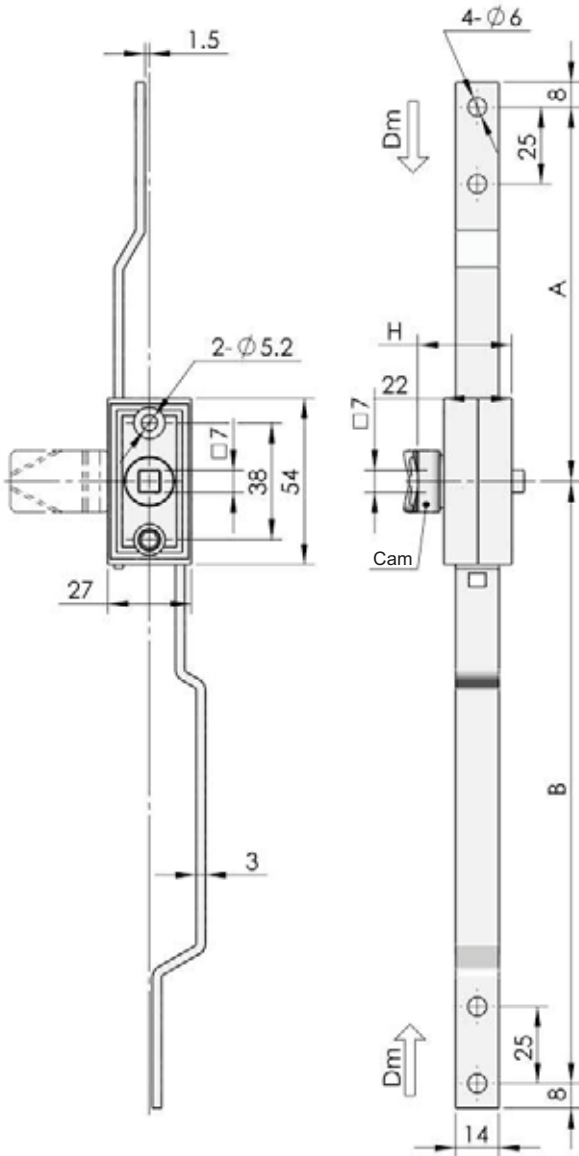
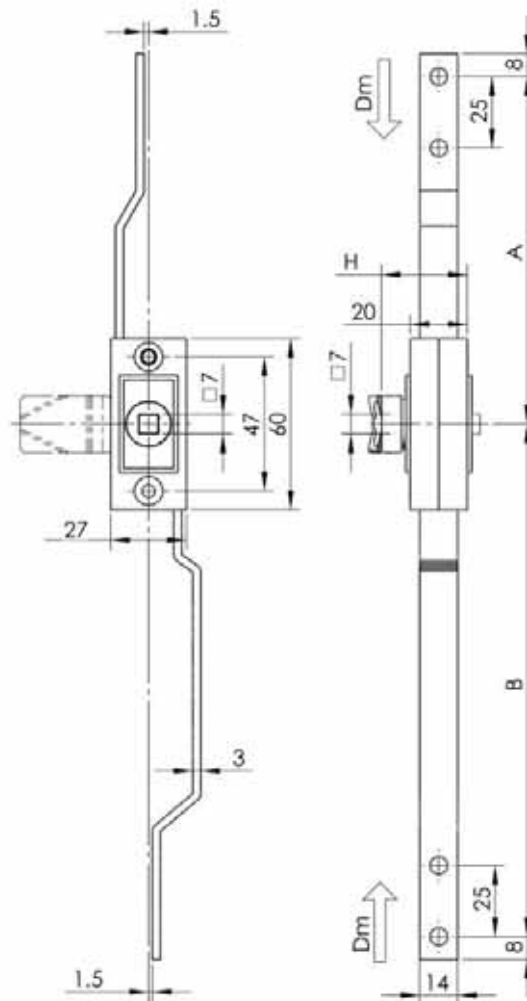




**Mb0 Series**  
**Mb2 Series**



**Mb1 Series**



Quarter Turn Locks
Compression Locks & Latches
Handle Locks
Rod Control Locks
Electronic Locks
Canopy Locks, Handles & Door Stay
Hinges
9 Fold Accessories
Sealing Profiles
Fan Filter
Panel Fasteners
Sleeve & Termination
Wiring Accessories
Connectors

**Remarks:** Rod latch system, use for seal door-outside, cam cutout 7mm, optional cam S1A cam series, see detailed cam list on P007. Default cam S1A3500, H=GH, length 35.  
Keep rod and rod latch in place, remove the cam and insert, and rotate rod latch system in 180 degree to suit  
RH or LH application

**Dm:** Rod stroke  
**Ra:** Rotation angle code

Rod latch system	Dm	Ra	A	B	Specification
Mb01	15	90°	122	196	With cam
Mb02	15	90°	122	196	Without cam
Mb03	15	90°	138	196	With cam
Mb04	15	90°	138	196	Without cam
Mb21	15	90°	122	122	With cam
Mb24	23	135°	138	130	Without cam

Rod latch system	Dm	Ra	A	B	Specification
Mb11	15	90°	122	180	With cam
Mb12	15	90°	122	180	Without cam
Mb13	20	115°	130	188	With cam
Mb14	23	120°	130	188	Without cam