

Sheet Thickness (T)	X	Y
0.75	34.8+0.2	85+0.2
1.0	35+0.2	85+0.2
1.5-2.2	36+0.2	85+0.2



**LS537-2**  
Material :  
Black PA

Quarter Turn Locks

Compression Locks & Latches

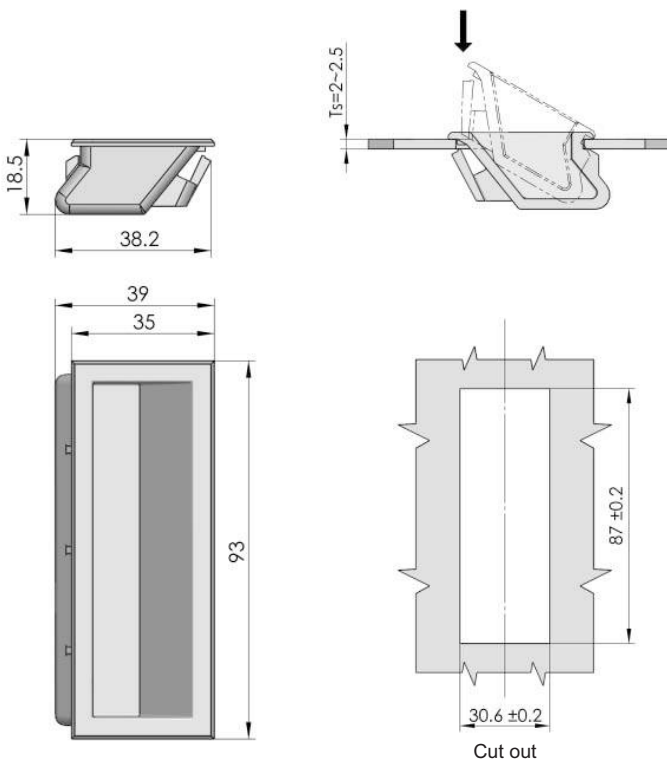
Handle Locks

Rod Control Locks

Electronic Locks

Canopy Locks, Handles & Door Stay

Hinges



**LS537-3**  
Main material and finish:  
Black ABS

9 Fold Accessories

Sealing Profiles

Fan Filter

Panel Fasteners

Sleeve & Termination

Wiring Accessories

Connectors