

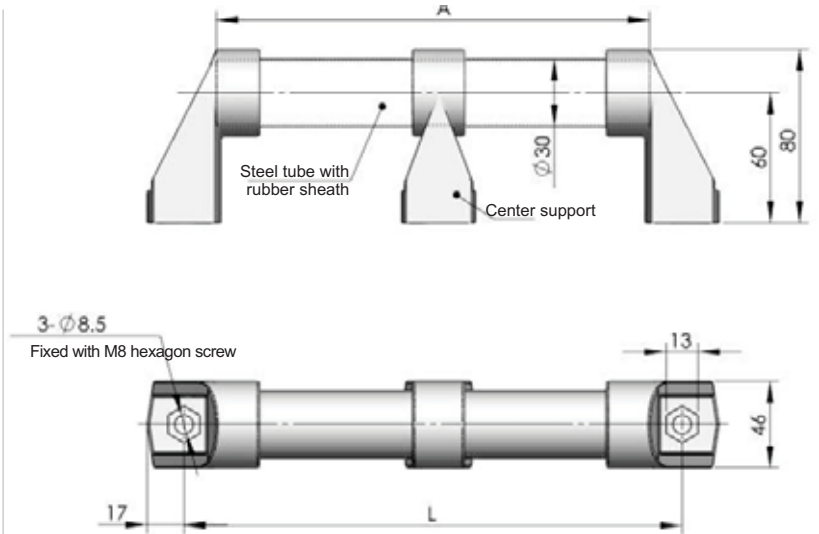


- Quarter Turn Locks
- Compression Locks & Latches
- Handle Locks
- Rod Control Locks
- Electronic Locks
- Canopy Locks, Handles & Door Stay
- Hinges
- 9 Fold Accessories
- Sealing Profiles
- Fan Filter
- Panel Fasteners
- Sleeve & Termination
- Wiring Accessories
- Connectors



LS513

Main material and finish:
Rubber sheath, steel tube, black PA end pieces and center support



L	A	Model
300	266	LS513-300
400	366	LS513-400
500	466	LS513-500
600	566	LS513-600
700	666	LS513-700
800	766	LS513-800
900	866	LS513-900
1000	966	LS513-1000
2000	1966	LS513-2000



LS520

Main material and finish:
Black ABS

