

**LS504-3**

**Main material and finish:**  
Silk Black powder coated steel base and pull handle, rubber sleeve Silk black

Quarter Turn Locks

Compression Locks & Latches

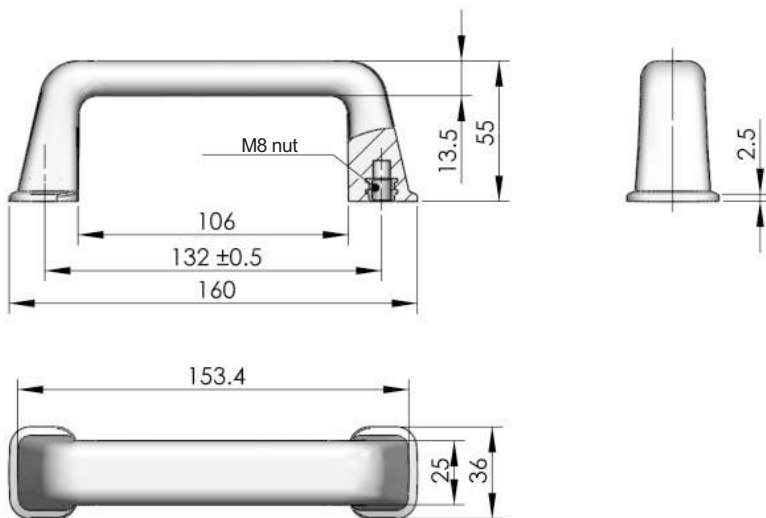
Handle Locks

Rod Control Locks

Electronic Locks

Canopy Locks, Handles & Door Stay

Hinges



**LS505**

**Main material:**  
Black PP

9 Fold Accessories

Sealing Profiles

Fan Filter

Panel Fasteners

Sleeve & Termination

Wiring Accessories

Connectors