

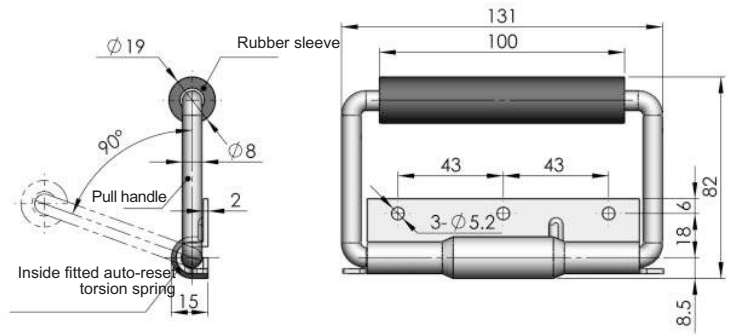


Quarter Turn Locks
Compression Locks & Latches
Handle Locks
Rod Control Locks
Electronic Locks
Canopy Locks, Handles & Door Stay
Hinges
9 Fold Accessories
Sealing Profiles
Fan Filter
Panel Fasteners
Sleeve & Termination
Wiring Accessories
Connectors



LS504-1

Main material and finish:
Steel / stainless steel



Specification	Model
Stainless steel	LS504-1B
Steel (Bright chrome)	LS504-1



LS504-2

Main material and finish:
Oxidation aluminum alloy base and pull handle, rubber sleeve

