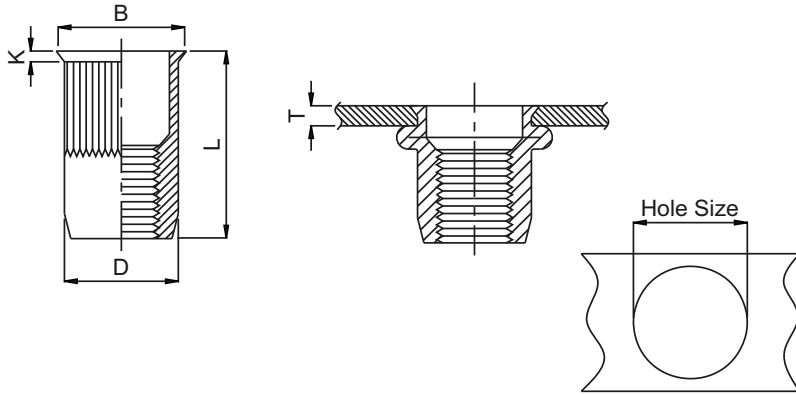




Reduce Head Knurled Body - SSR-SM Series

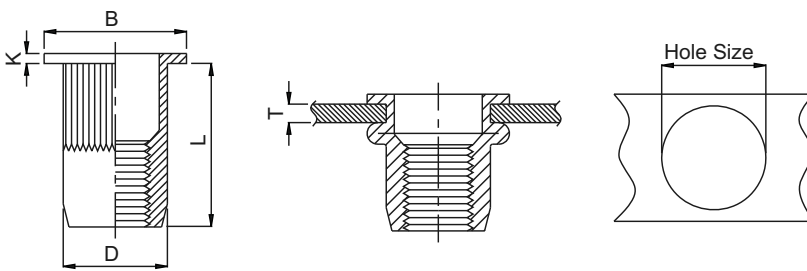


Material :
Stainless Steel

UNIT -mm

MODEL	SIZE	T(Grip Range) Min-Max.	Hole Size +0.1 -0.0	D Max.	L +0.5 -0.0	B ±0.3	K +0.3 -0.0
SSR-SM325	M3 x 0.5	0.5 - 2.0	5.0	5.0	9.0	6.0	0.5
SSR-SM425	M4 x 0.7	0.5 - 2.5	6.0	6.0	11.0	7.0	0.5
SSR-SM435	M4 x 0.7	2.5 - 4.0	6.0	6.0	12.5	7.0	0.5
SSR-SM525	M5 x 0.8	0.5 - 3.0	7.0	7.0	12.0	8.0	0.5
SSR-SM535	M5 x 0.8	3.0 - 4.5	7.0	7.0	13.5	8.0	0.5
SSR-SM625	M6 x 1.0	0.5 - 3.0	9.0	9.0	14.0	10.0	0.5
SSR-SM640	M6 x 1.0	3.0 - 5.0	9.0	9.0	16.0	10.0	0.5
SSR-SM825	M8 x 1.25	0.5 - 3.0	11.0	11.0	16.0	12.0	0.5
SSR-SM840	M8 x 1.25	3.0 - 5.5	11.0	11.0	18.5	12.0	0.5
SSR-SM1025	M10 x 1.5	1.0 - 3.5	13.0	13.0	19.0	14.2	0.8
SSR-SM1040	M10 x 1.5	3.5 - 6.0	13.0	13.0	21.5	14.2	0.8

Flat Head Knurled Body - SSR-LM Series



Material :
Stainless Steel

UNIT -mm

MODEL	SIZE	T(Grip Range) Min-Max.	Hole Size +0.1 -0.0	D Max.	L ±0.3	B +0.0 -0.5	K ±0.1
SSR-LM325	M3 x 0.5	0.3 - 2.0	5.0	5.0	9.0	8.0	0.8
SSR-LM425	M4 x 0.7	0.3 - 2.5	6.0	6.0	11.0	9.0	1.0
SSR-LM435	M4 x 0.7	2.5 - 4.0	6.0	6.0	12.5	9.0	1.0
SSR-LM525	M5 x 0.8	0.3 - 3.0	7.0	7.0	12.0	10.0	1.0
SSR-LM535	M5 x 0.8	3.0 - 4.5	7.0	7.0	13.5	10.0	1.0
SSR-LM625	M6 x 1.0	0.5 - 3.0	9.0	9.0	14.0	12.0	1.5
SSR-LM640	M6 x 1.0	3.0 - 5.0	9.0	9.0	16.0	12.0	1.5
SSR-LM825	M8 x 1.25	0.5 - 3.0	11.0	11.0	16.0	15.0	1.5
SSR-LM840	M8 x 1.25	3.0 - 5.5	11.0	11.0	18.5	15.0	1.5
SSR-LM1025	M10 x 1.5	1.0 - 3.5	13.0	13.0	19.0	17.0	2.0
SSR-LM1040	M10 x 1.5	3.5 - 6.0	13.0	13.0	21.5	17.0	2.0

Quarter Turn
Locks

Compression
Locks &
Latches

Handle
Locks

Rod Control
Locks

Electronic
Locks

Canopy Locks,
Handles &
Door Stay

Hinges

9 Fold
Accessories

Sealing
Profiles

Fan Filter

Panel
Fasteners

Sleeve &
Termination

Wiring
Accessories

Connectors