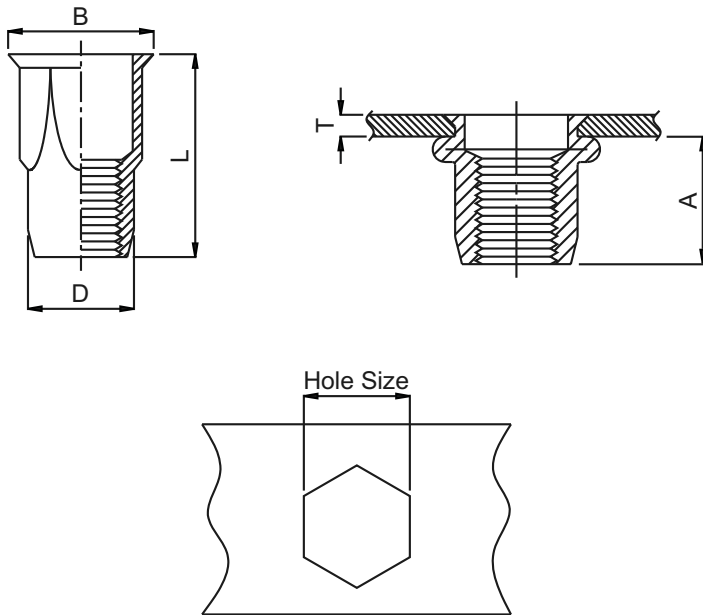




Reduce Head Semi-Hex Body - HA-SM Series

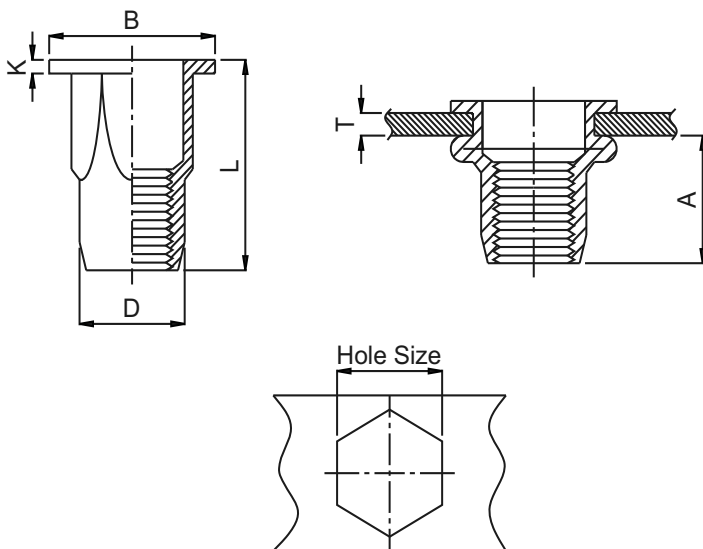


Material : Steel
Finish : Zinc Plating

UNIT -mm

MODEL	SIZE	T(Grip Range) Min-Max.	A Rer	Hole Size +0.1 -0.0	D +0.07 -0.1	HB	K	L
HA-SM4	M4 x 0.7	0.5 - 2.0	8.3	6.0	5.9	7.0	0.5	12.0
HA-SM5	M5 x 0.8	0.5 - 2.0	8.7	7.0	6.9	8.0	0.5	13.0
HA-SM6	M6 x 1.0	1.0 - 3.5	10.5	9.0	8.9	10.0	0.6	16.0
HA-SM8	M8 x 1.25	1.0 - 3.5	11.3	11.0	10.9	12.0	0.65	17.5
HA-SM10	M10 x 1.5	1.0 - 4.0	12.8	13.0	12.9	14.5	0.75	21.0

Flat Head Semi-Hex Body - HA-LM Series



Material : Steel
Finish : Zinc Plating

UNIT -mm

MODEL	SIZE	T(Grip Range) Min-Max.	A Rer	Hole Size +0.1 -0.0	D +0.07 -0.1	B	K	L
HA-LM4	M4*0.7	0.5 - 2.0	6.5	6.0	5.9	9.0	0.8	11.0
HA-LM5	M5*0.8	0.5 - 2.5	8.0	7.0	6.9	10.0	1.0	13.0
HA-LM6	M6*1.0	0.5 - 3.0	8.5	9.0	8.9	12.7	1.3	15.0
HA-LM8	M8*1.25	1.0 - 3.5	10.5	11.0	10.9	16.0	1.5	18.0
HA-LM10	M10*1.5	1.0 - 3.5	12.5	13.0	12.9	18.0	1.7	21.0

Quarter Turn
Locks

Compression
Locks &
Latches

Handle
Locks

Rod Control
Locks

Electronic
Locks

Canopy Locks,
Handles &
Door Stay

Hinges

9 Fold
Accessories

Sealing
Profiles

Fan Filter

Panel
Fasteners

Sleeve &
Termination

Wiring
Accessories

Connectors