

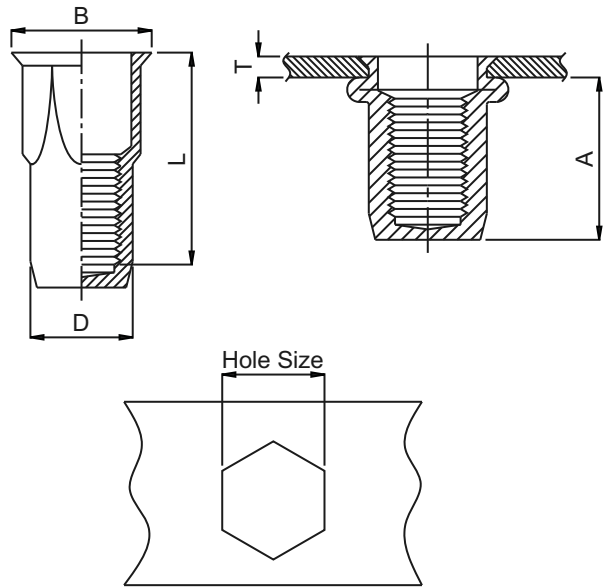


- Quarter Turn Locks
- Compression Locks & Latches
- Handle Locks
- Rod Control Locks
- Electronic Locks
- Canopy Locks, Handles & Door Stay
- Hinges
- 9 Fold Accessories
- Sealing Profiles
- Fan Filter
- Panel Fasteners**
- Sleeve & Termination
- Wiring Accessories
- Connectors

**Reduce Head Semi-Hex Body Close End - HA-SM-CE Series**



**Material :** Steel  
**Finish :** Zinc Plating

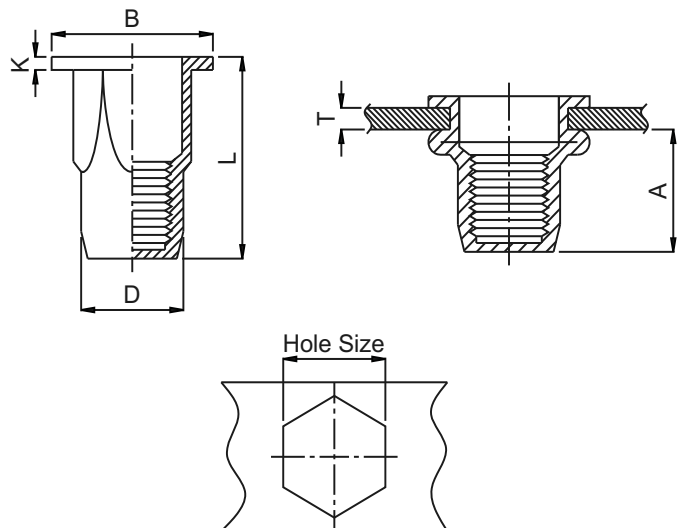


UNIT -mm								
MODEL	SIZE	T(Grip Range) Min-Max.	A Rer	Hole Size +0.15 +0.05	D	HB	K	L
HA-SM-CE4	M4 x 0.7	0.5 - 2.0	13.0	6.0	6.0	7.0	0.5	16.5
HA-SM-CE5	M5 x 0.8	0.5 - 2.5	14.5	7.0	7.0	8.0	0.6	18.5
HA-SM-CE6	M6 x 1.0	0.5 - 3.0	18.0	9.0	9.0	10.0	0.6	23.0
HA-SM-CE8	M8 x 1.25	0.5 - 3.5	20.5	11.0	11.0	12.3	0.6	26.5
HA-SM-CE10	M10 x 1.5	0.5 - 3.5	27.0	13.0	13.0	14.5	0.85	33.0

**Flat Head Semi-Hex Body Close End - HA-LM-CE Series**



**Material :** Steel  
**Finish :** Zinc Plating



UNIT -mm								
MODEL	SIZE	T(Grip Range) Min-Max.	A Rer	Hole Size +0.1 -0.0	D +0.07 -0.1	B	K	L
HA-LM-CE4	M4*0.7	0.5 - 2.0	11.0	6.0	5.9	9.0	0.8	15.0
HA-LM-CE5	M5*0.8	0.5 - 2.5	13.5	7.0	6.9	10.0	1.0	18.0
HA-LM-CE6	M6*1.0	0.5 - 3.0	17.0	9.0	8.9	12.7	1.5	23.0
HA-LM-CE8	M8*1.25	1.0 - 3.5	19.0	11.0	10.9	16.0	1.5	26.0
HA-LM-CE10	M10*1.5	1.0 - 4.0	25.0	13.0	12.9	19.0	2.0	33.0