

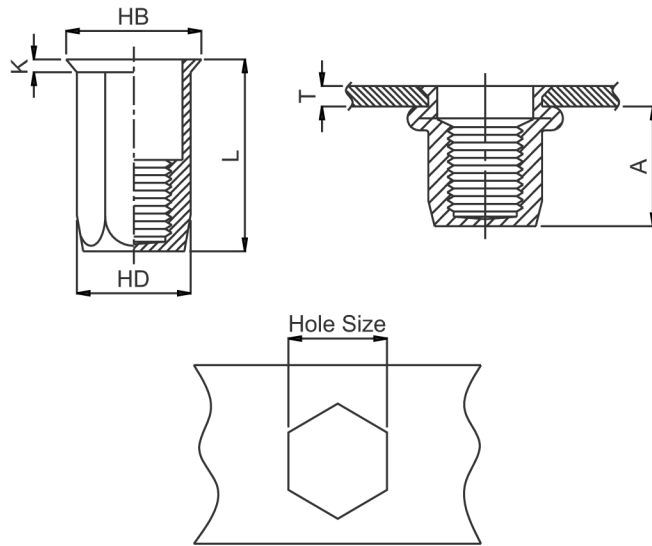


- Quarter Turn Locks
- Compression Locks & Latches
- Handle Locks
- Rod Control Locks
- Electronic Locks
- Canopy Locks, Handles & Door Stay
- Hinges
- 9 Fold Accessories
- Sealing Profiles
- Fan Filter
- Panel Fasteners**
- Sleeve & Termination
- Wiring Accessories
- Connectors

**Reduce Head Full-Hex Body Close End - HH-SM-CE Series**



**Material :** Steel  
**Finish :** Zinc Plating



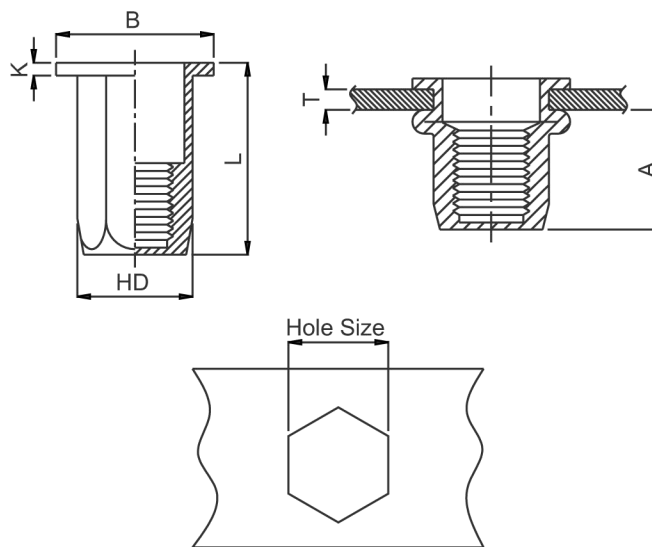
UNIT -mm

MODEL	SIZE	T(Grip Range) Min-Max.	A Rer	Hole Size +0.1 -0.0	HD	B	K	L
HH-SM-CE4	M4*0.7	0.5 - 2.5	12.3	6.0	5.9	7.0	0.5	16.0
HH-SM-CE5	M5*0.8	0.5 - 3.0	14.2	7.0	6.9	8.0	0.5	20.0
HH-SM-CE6	M6*1.0	0.5 - 3.5	14.5	9.0	8.9	10.0	0.6	20.5
HH-SM-CE8	M8*1.25	1.0 - 4.0	17.0	11.0	10.9	12.0	0.65	23.0
HH-SM-CE10	M10*1.5	1.0 - 4.5	20.0	13.0	12.9	14.5	0.75	28.5

**Flat Head Full-Hex Body Close end - HH-LM-CE Series**



**Material :** Steel  
**Finish :** Zinc Plating



UNIT -mm

MODEL	SIZE	T(Grip Range) Min-Max.	A Rer	Hole Size +0.1 -0.0	HD +0.07 -0.1	B	K	L
HH-LM-CE4	M4*0.7	0.5 - 2.0	11.0	6.0	5.9	9.0	1.0	15.0
HH-LM-CE5	M5*0.8	0.5 - 2.5	13.5	7.0	6.9	10.0	1.0	18.0
HH-LM-CE6	M6*1.0	0.5 - 3.0	17.0	9.0	8.9	12.7	1.5	23.0
HH-LM-CE8	M8*1.25	1.0 - 3.5	19.0	11.0	10.9	16.0	1.5	26.0
HH-LM-CE10	M10*1.5	1.0 - 4.0	25.0	13.0	12.9	19.0	2.0	33.0