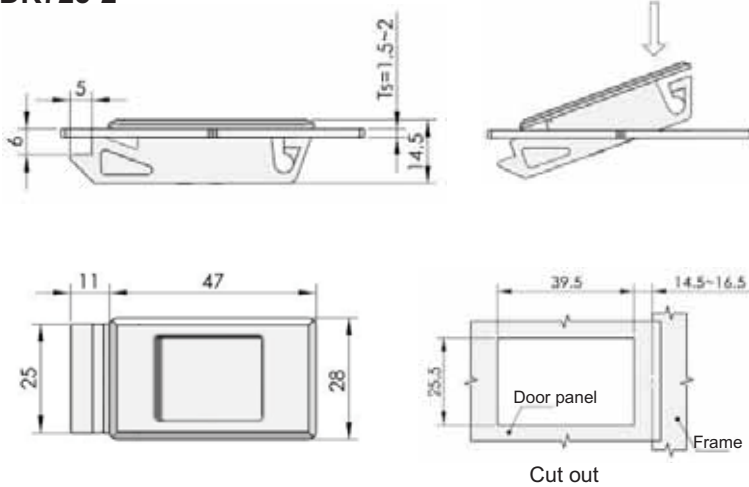
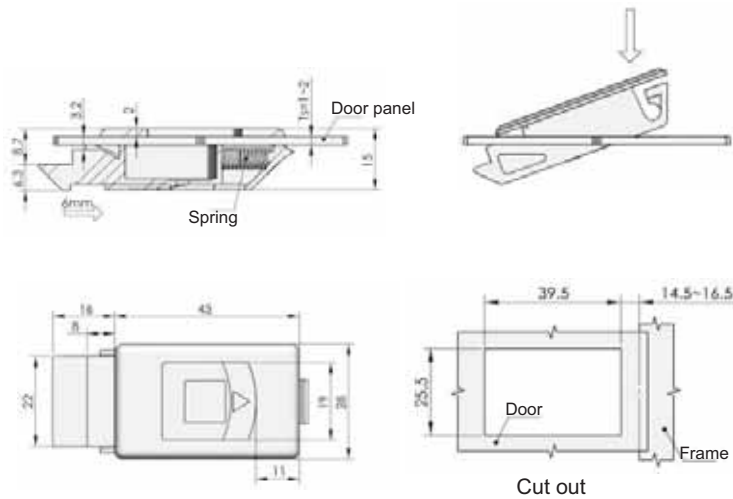




**DK725-1
DK725-2**



DK725-3B



DK725-3C



Specification	Model
T=1.5	DK725-1
T=2	DK725-2
T=1~2	DK725-3B
T=1~2	DK725-3C

DK725



Main material:
ABS toggle or PA toggle

Quarter Turn Locks

Compression Locks & Latches

Handle Locks

Rod Control Locks

Electronic Locks

Canopy Locks, Handles & Door Stay

Hinges

9 Fold Accessories

Sealing Profiles

Fan Filter

Panel Fasteners

Sleeve & Termination

Wiring Accessories

Connectors