

Specification	Model
With insert	DK615-1
Without insert	DK615-2



DK615

Main material and finish:
Matte Black powder coated ZDC housing, handle and keeper, stainless steel pins

Quarter Turn Locks

Compression Locks & Latches

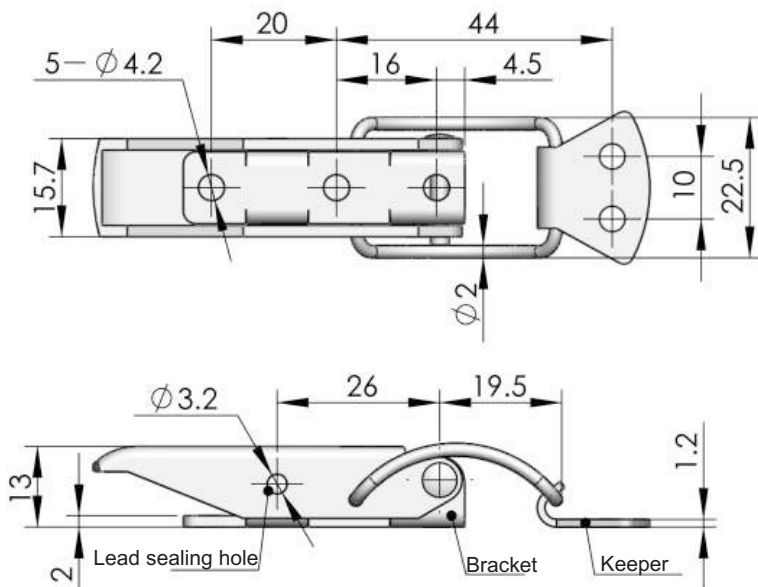
Handle Locks

Rod Control Locks

Electronic Locks

Canopy Locks, Handles & Door Stay

Hinges



DK617

Main material and finish:
Lapped finished stainless steel

9 Fold Accessories

Sealing Profiles

Fan Filter

Panel Fasteners

Sleeve & Termination

Wiring Accessories

Connectors