



Quarter Turn Locks

Compression Locks & Latches

Handle Locks

Rod Control Locks

Electronic Locks

Canopy Locks, Handles & Door Stay

Hinges

9 Fold Accessories

Sealing Profiles

Fan Filter

Panel Fasteners

Sleeve & Termination

Wiring Accessories

Connectors

**DC AXIAL FANS**

Series 90 92×92×38mm B

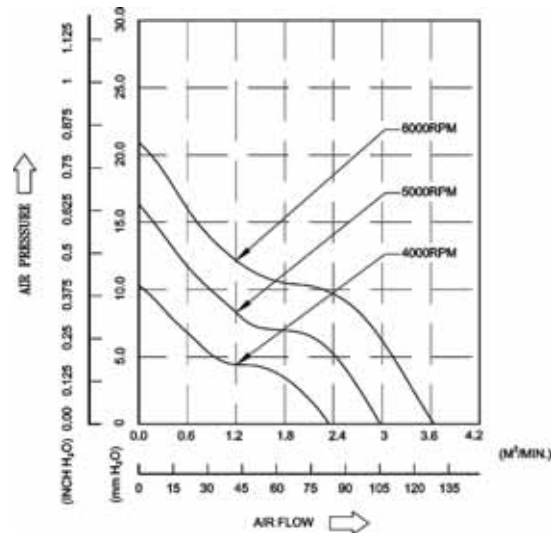
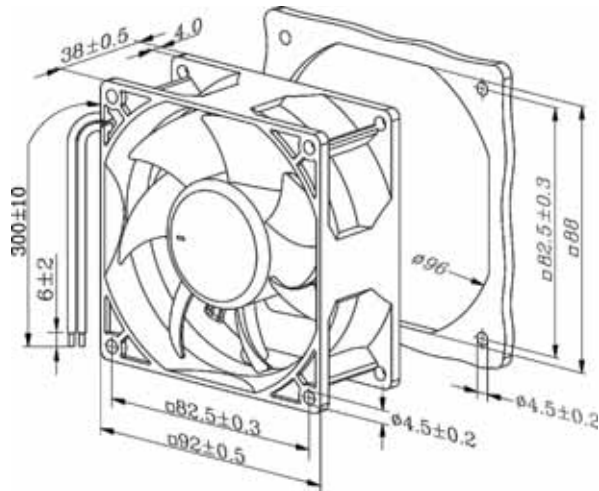


**Material:**  
Impeller & Frame Plastic (UL94V-0)

**Lead Wires:** UL 1007 AWG#24 or Equivalent

**Impeller:** 7 Blades Rotational direction CCW view from impeller side

**Mass:** 150g



PART NO.	B.S	VDC	VDC	Amp	Watt	RPM	m <sup>3</sup> /H	CFM	mmH2O	IN H2O	dB-A
SB120938-E	B	12	7~13.2	0.40	4.80	4000	142.3	83.8	10.36	0.41	44.5
SB120938-L	B	12	7~13.2	0.65	7.80	5000	182.4	107.4	16.50	0.65	50.0
SB120938-M	B	12	7~13.2	1.05	12.60	6000	219.8	129.4	20.99	0.83	53.8
SB240938-E	B	24	14~26.4	0.16	3.84	4000	142.3	83.8	10.36	0.41	44.5
SB240938-L	B	24	14~26.4	0.31	7.44	5000	182.4	107.4	16.50	0.65	50.0
SB240938-M	B	24	14~26.4	0.50	12.00	6000	219.8	129.4	20.99	0.83	53.8
SB480938-E	B	48	36~56	0.11	5.28	4000	142.3	83.8	10.36	0.41	44.5
SB480938-L	B	48	36~56	0.18	8.64	5000	182.4	107.4	16.50	0.65	50.0
SB480938-M	B	48	36~56	0.32	15.36	6000	219.8	129.4	20.99	0.83	53.8

