



Quarter Turn Locks

Compression Locks & Latches

Handle Locks

Rod Control Locks

Electronic Locks

Canopy Locks, Handles & Door Stay

Hinges

9 Fold Accessories

Sealing Profiles

Fan Filter

Panel Fasteners

Sleeve & Termination

Wiring Accessories

Connectors

**DC AXIAL FANS**

Series 90 92×92×25mm A

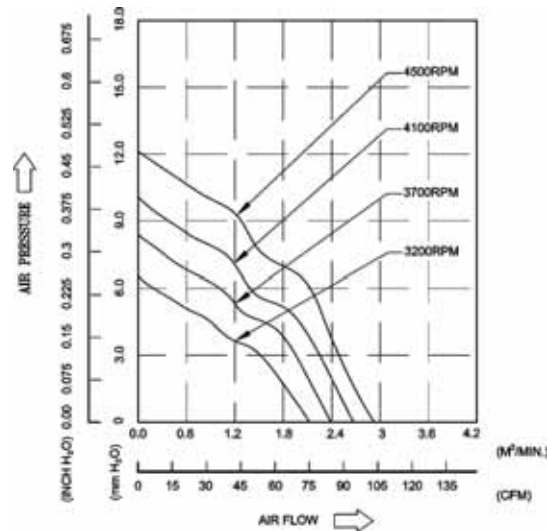
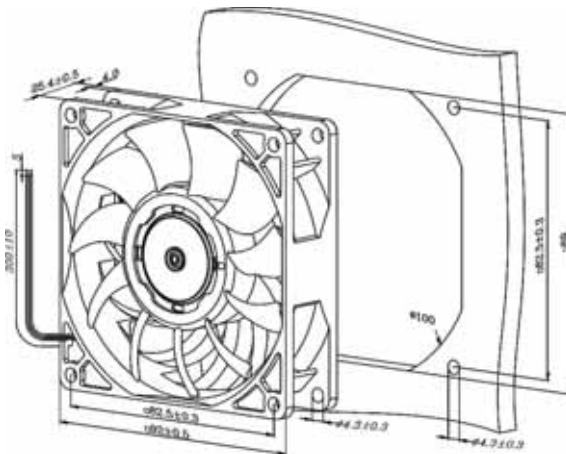


**Material:**  
Impeller & Frame Plastic (UL94V-0)

**Lead Wires:** UL 1007 AWG#24 or Equivalent

**Impeller:** 11 Blades  
Rotational direction CCW  
view from impeller side

**Mass:** 130g



PART NO.	B.S	VDC	VDC	Amp	Watt	RPM	m <sup>3</sup> /H	CFM	mmH <sub>2</sub> O	IN H <sub>2</sub> O	dB-A
SA120925-L	B	12	7~13.2	0.30	3.60	3200	128.0	75.4	6.57	0.26	43.8
SA120925-M	B	12	7~13.2	0.46	5.52	3700	144.5	85.1	8.49	0.33	47.7
SA120925-H	B	12	7~13.2	0.62	7.44	4100	161.1	94.9	10.17	0.40	50.2
SA120925-U	B	12	7~13.2	0.82	9.84	4500	175.0	103.1	12.02	0.47	52.0
SA240925-L	B	24	14~26.4	0.15	3.60	3200	128.0	75.4	6.57	0.26	43.8
SA240925-M	B	24	14~26.4	0.23	5.52	3700	144.5	85.1	8.49	0.33	47.7
SA240925-H	B	24	14~26.4	0.31	7.44	4100	161.1	94.9	10.17	0.40	50.2
SA240925-U	B	24	14~26.4	0.41	9.84	4500	175.0	103.1	12.02	0.47	52.0
SA480925-L	B	48	36~56	0.08	3.84	3200	128.0	75.4	6.57	0.26	43.8
SA480925-M	B	48	36~56	0.12	5.76	3700	144.5	85.1	8.49	0.33	47.7
SA480925-H	B	48	36~56	0.16	7.68	4100	161.1	94.9	10.17	0.40	50.2
SA480925-U	B	48	36~56	0.21	10.08	4500	175.0	103.1	12.02	0.47	52.0

