



Quarter Turn Locks

Compression Locks & Latches

Handle Locks

Rod Control Locks

Electronic Locks

Canopy Locks, Handles & Door Stay

Hinges

9 Fold Accessories

Sealing Profiles

Fan Filter

Panel Fasteners

Sleeve & Termination

Wiring Accessories

Connectors

**DC AXIAL FANS**

Series 172  $\Phi 172 \times 51 \text{mm A}$

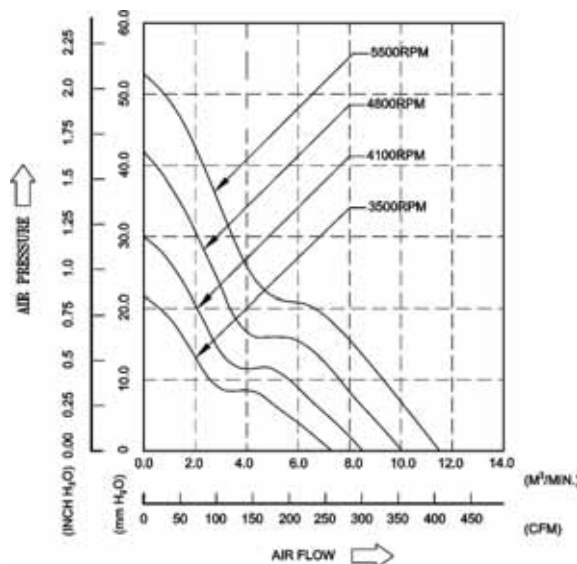
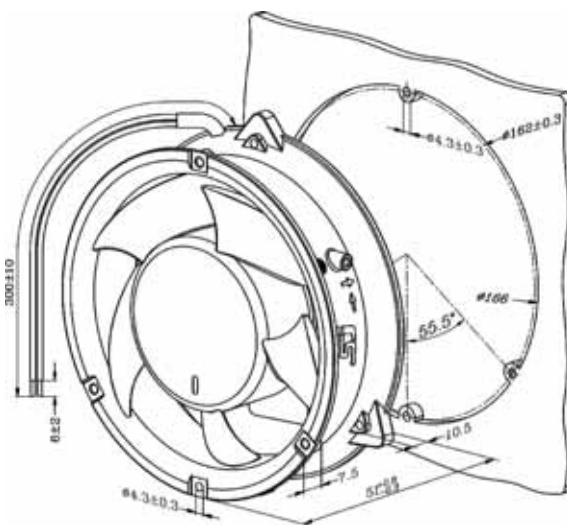


**Material:**  
Impeller Plastic(UL94V-0),  
Frame Aluminum

**Lead Wires:** UL 1007  
AWG#22 or Equivalent

**Impeller:** 5 Blades  
Rotational direction CCW  
view from impeller side

**Mass:** 940g



PART NO.	B.S	VDC	VDC	Amp	Watt	RPM	m <sup>3</sup> /H	CFM	mmH2O	IN H2O	dB-A
SA121751-M	B	12	7~13.2	2.1	25.2	3500	436.9	257.3	22.23	0.88	58.1
SA121751-H	B	12	7~13.2	3.2	38.4	4100	511.7	301.4	30.51	1.20	60.8
SA121751-U	B	12	7~13.2	4.9	58.8	4800	599.1	352.8	41.82	1.65	65.2
SA121751-S	B	12	7~13.2	6.0	72.0	5500	688.2	405.3	54.90	2.16	67.9
SA241751-M	B	24	14~26.4	0.9	21.6	3500	436.9	257.3	22.23	0.88	58.1
SA241751-H	B	24	14~26.4	1.7	40.8	4100	511.7	301.4	30.51	1.20	60.8
SA241751-U	B	24	14~26.4	2.4	57.6	4800	599.1	352.8	41.82	1.65	65.2
SA241751-S	B	24	14~26.4	2.9	69.6	5500	688.2	405.3	54.90	2.16	67.9
SA481751-M	B	48	36~72	0.6	26.4	3500	436.9	257.3	22.23	0.88	58.1
SA481751-H	B	48	36~72	0.8	38.4	4100	511.7	301.4	30.51	1.20	60.8
SA481751-U	B	48	36~72	1.1	52.8	4800	599.1	352.8	41.82	1.65	65.2
SA481751-S	B	48	36~72	1.3	62.4	5500	688.2	405.3	54.90	2.16	67.9

