



Quarter Turn Locks

Compression Locks & Latches

Handle Locks

Rod Control Locks

Electronic Locks

Canopy Locks, Handles & Door Stay

Hinges

9 Fold Accessories

Sealing Profiles

Fan Filter

Panel Fasteners

Sleeve & Termination

Wiring Accessories

Connectors

DC AXIAL FANS

Series 120 120×120×25mm A



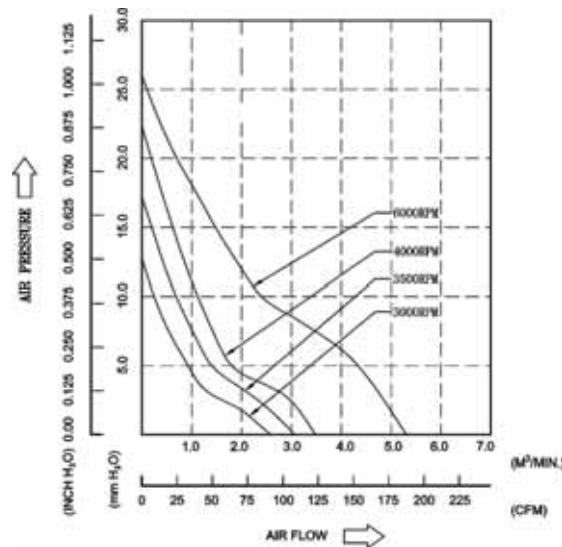
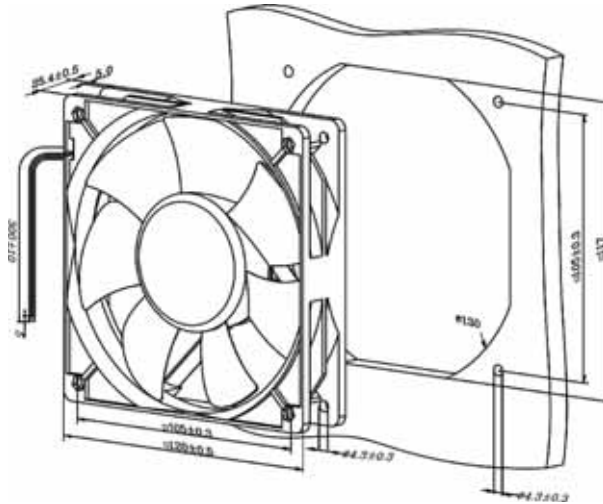
Material:

Impeller & Frame Plastic (UL94V-0)

Lead Wires: UL 1007 AWG#24 or Equivalent

Impeller: 7 Blades
Rotational direction CCW
view from impeller side

Mass: 200g



PART NO.	B.S	VDC	VDC	Amp	Watt	RPM	m ³ /H	CFM	mmH ₂ O	IN H ₂ O	dB-A
SA481225-L	B	48	36~56	0.06	2.88	3000	155.5	91.6	12.65	0.50	45
SA481225-M	B	48	36~56	0.10	4.80	3500	183.4	108.0	17.32	0.68	49
SA481225-H	B	48	36~56	0.13	6.24	4000	209.0	123.1	22.37	0.88	52
SA481225-U	B	48	36~56	0.17	8.16	4500	235.5	138.7	25.69	1.01	54
SA481225-S	B	48	36~56	0.23	11.04	5000	262.1	154.4	25.50	1.00	57
SA481225-F	B	48	36~56	0.30	14.40	5500	289.2	170.3	24.87	0.98	60
SA481225-G	B	48	36~56	0.40	19.20	6000	314.2	185.1	25.82	1.02	62

