



Quarter Turn Locks
Compression Locks & Latches
Handle Locks
Rod Control Locks
Electronic Locks
Canopy Locks, Handles & Door Stay
Hinges
9 Fold Accessories
Sealing Profiles
Fan Filter
Panel Fasteners
Sleeve & Termination
Wiring Accessories
Connectors

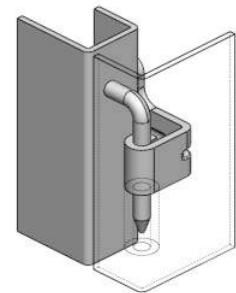
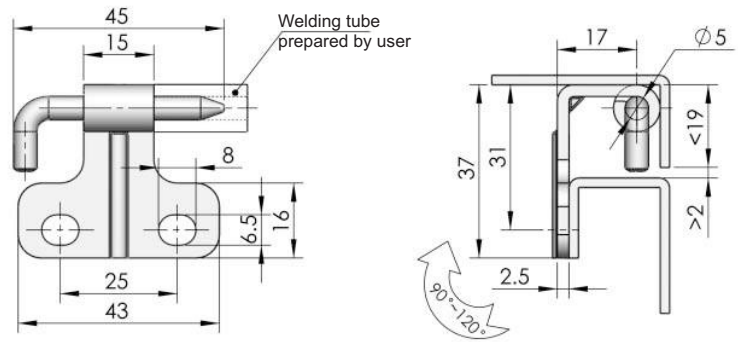


CL280



Main material and finish:
Black powder coated steel female hinge, white zincplated pin

Application:
Opening angle 120°

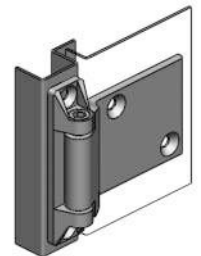
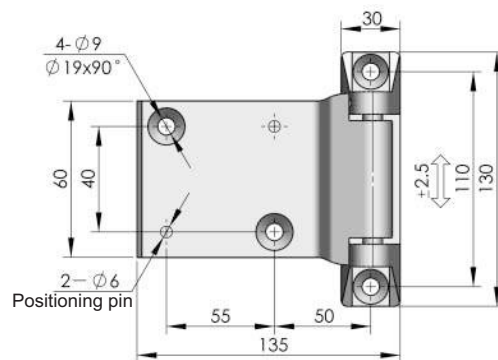
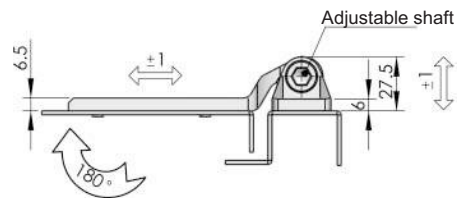


CL282-1-Y
CL282-1-Z



Main material and finish:
Pocked black powder coated ZDC female part, stainless steel shaft

Application:
Opening angle 180°



Specification	Model
Left hinge	CL282-1-Z
Right hinge	CL282-1-Y