

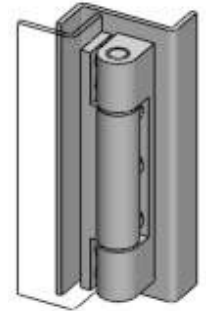
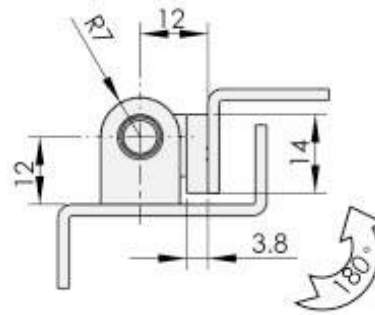
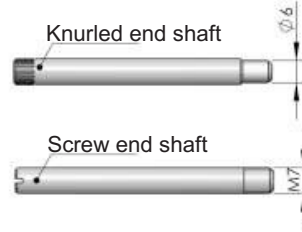
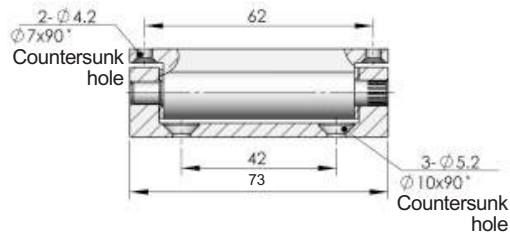


Quarter Turn Locks
Compression Locks & Latches
Handle Locks
Rod Control Locks
Electronic Locks
Canopy Locks, Handles & Door Stay
Hinges
9 Fold Accessories
Sealing Profiles
Fan Filter
Panel Fasteners
Sleeve & Termination
Wiring Accessories
Connectors



Main material and finish:
Oxidation aluminum alloy hinge, stainless steel shaft, nickel-plated steel pin

Application:
Opening angle 180°



Main material and finish:
Black powder coated ZDC hinge, white zinc-plated steel pin

Application:
Opening angle 180°

