

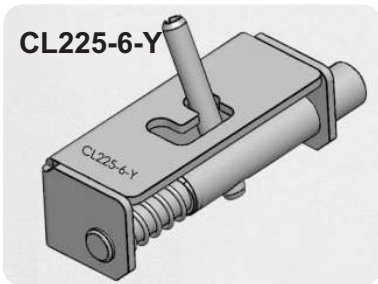
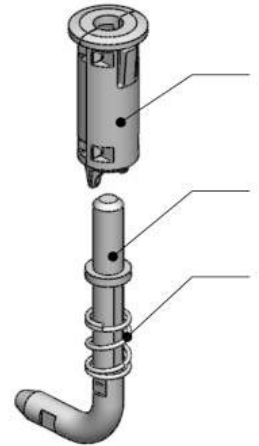
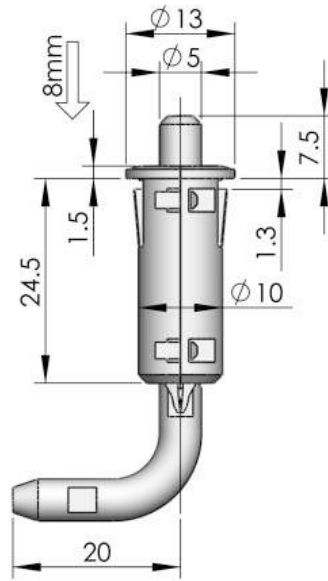


Quarter Turn Locks
Compression Locks & Latches
Handle Locks
Rod Control Locks
Electronic Locks
Canopy Locks, Handles & Door Stay
Hinges
9 Fold Accessories
Sealing Profiles
Fan Filter
Panel Fasteners
Sleeve & Termination
Wiring Accessories
Connectors



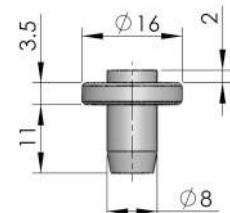
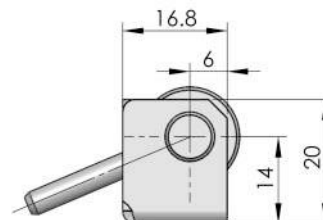
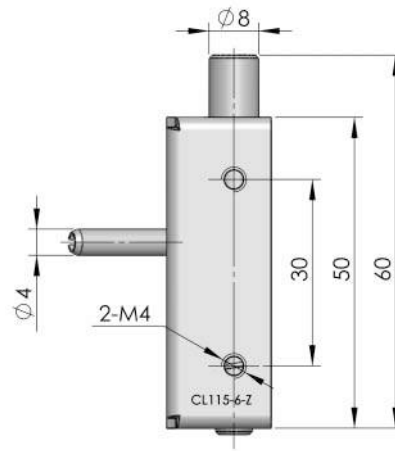
Main material and finish:
Black PA hosing, white zinc-plated ZDC latch, stainless steel spring

Application:
Telescopic 8mm



Main material and finish:
White zincplated steel shaft, locating shaft, hinge leaf, stainless steel spring and straight pin

Remarks:
The hinge is division of right and left



Specification	Model
LH	CL225-6-Z
RH	CL225-6-Y