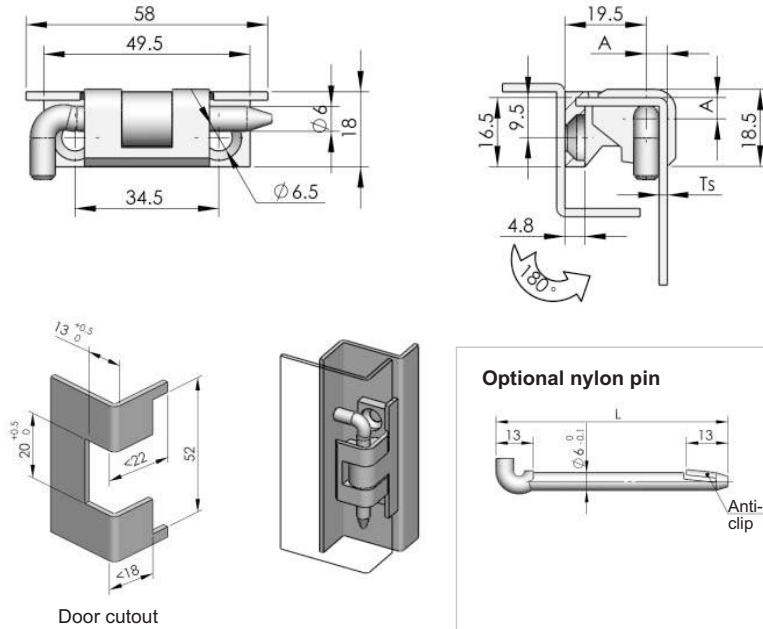


CL208
Main material and finish:
Bright chrome plated ZDC hinge
steel support & screen

Application:
Opening angle 180°

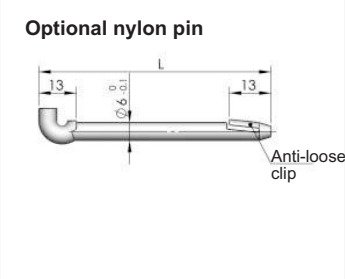
Quarter Turn Locks
Compression Locks & Latches
Handle Locks
Rod Control Locks
Electronic Locks
Canopy Locks, Handles & Door Stay

Hinges



CL211
Main material and finish:
Black Powder Coated ZDC hinge

Application:
Opening angle 180°



9 Fold Accessories
Sealing Profiles
Fan Filter
Panel Fasteners
Sleeve & Termination
Wiring Accessories

Connectors

Specification	A	Model
Suitable door thickness, Ts=1.5mm	4.6	CL211-1
Suitable door thickness, Ts=2mm	5.1	CL211-2