



Quarter Turn Locks
Compression Locks & Latches
Handle Locks
Rod Control Locks
Electronic Locks
Canopy Locks, Handles & Door Stay
Hinges

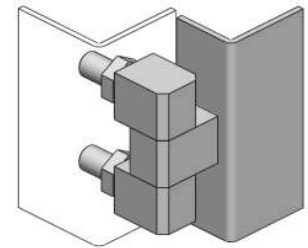
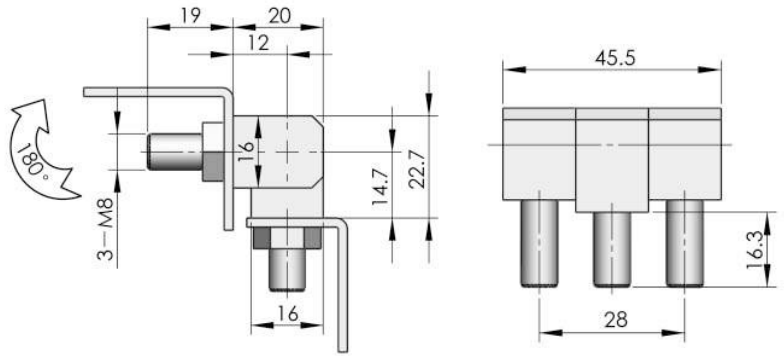


CL 206-3



Main material and finish:
Bright chrome plated steel hinge and gasket

Application:
Opening angle 180°



9 Fold Accessories
Sealing Profiles
Fan Filter
Panel Fasteners
Sleeve & Termination
Wiring Accessories
Connectors



CL206-3B



Main material and finish:
ZDC hinge Bright Chrome Plated

Application:
Opening angle 180°

