

Specification	Model
Left hand	CL205-1-Z
Right hand	CL205-1-Y

CL205-1



Main material and finish:
ZDC hinge

Application:
Opening angle 180°

Quarter Turn Locks

Compression Locks & Latches

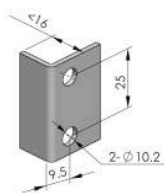
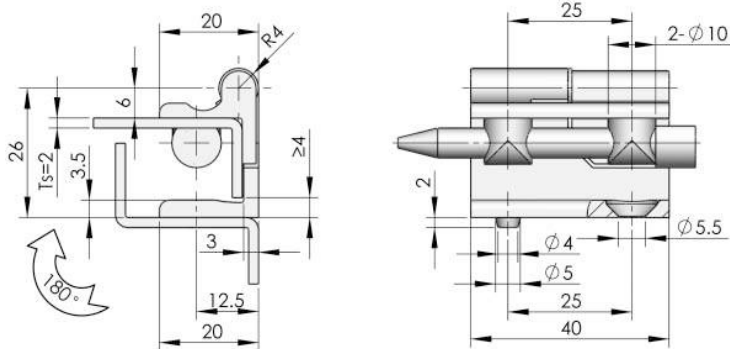
Handle Locks

Rod Control Locks

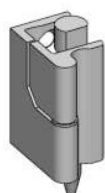
Electronic Locks

Canopy Locks, Handles & Door Stay

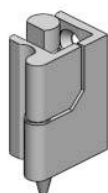
Hinges



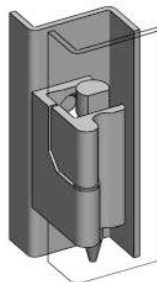
Door cutout



LH



RH



CL205-2



Main material and finish:
ZDC hinge leaf and bushing, PA shaft

Application:
Opening angle 180°

9 Fold Accessories

Sealing Profiles

Fan Filter

Panel Fasteners

Sleeve & Termination

Wiring Accessories

Connectors

Specification	Model
Left hand	CL205-2-Z
Right hand	CL205-2-Y