



Quarter Turn Locks
Compression Locks & Latches
Handle Locks
Rod Control Locks
Electronic Locks
Canopy Locks, Handles & Door Stay
Hinges
9 Fold Accessories
Sealing Profiles
Fan Filter
Panel Fasteners
Sleeve & Termination
Wiring Accessories
Connectors

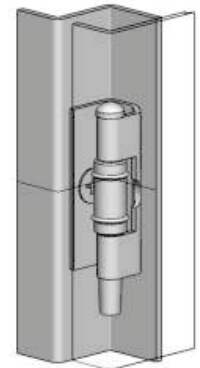
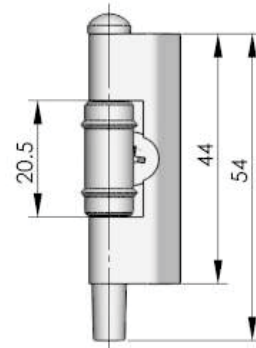
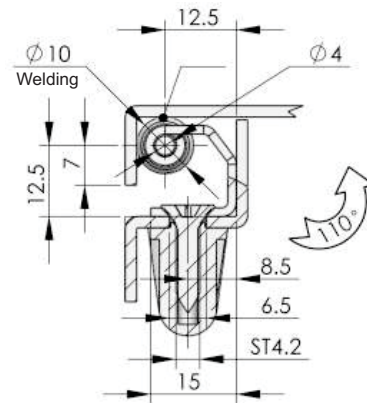


CL139



Main material and finish:
White zinc plated steel hinge and pin

Application:
Opening angle 135°



CL138



Main material and finish:
White zinc plated steel hinge and pin

Application:
Opening angle 135°

