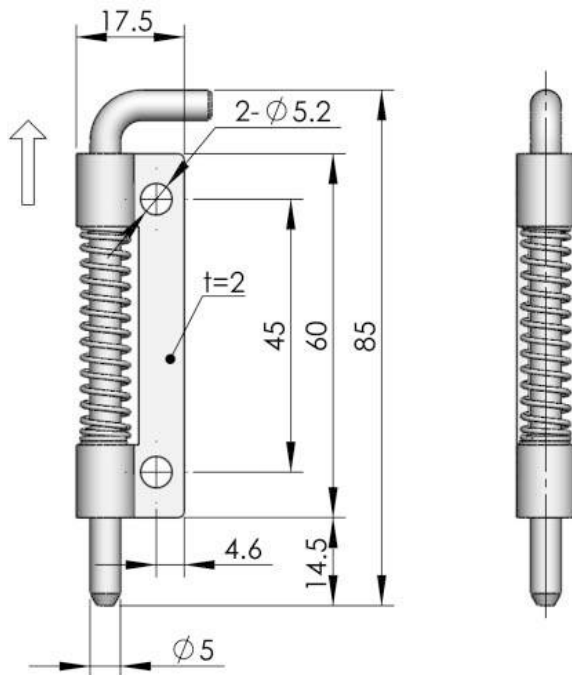


Remarks: Accessory (optional) This accessory is used as an alternative to the hinge with pin, usually fitted at the bottom of the door as load-bearing fixing door



Main material and finish:
White zinc plated steel hinge leaf



Main material and finish:
White zinc plated steel hinge leaf

| |
|-----------------------------------|
| Quarter Turn Locks |
| Compression Locks & Latches |
| Handle Locks |
| Rod Control Locks |
| Electronic Locks |
| Canopy Locks, Handles & Door Stay |
| Hinges |
| 9 Fold Accessories |
| Sealing Profiles |
| Fan Filter |
| Panel Fasteners |
| Sleeve & Termination |
| Wiring Accessories |
| Connectors |