



Quarter Turn Locks
Compression Locks & Latches
Handle Locks
Rod Control Locks
Electronic Locks
Canopy Locks, Handles & Door Stay
<b>Hinges</b>
9 Fold Accessories
Sealing Profiles
Fan Filter
Panel Fasteners
Sleeve & Termination
Wiring Accessories
Connectors

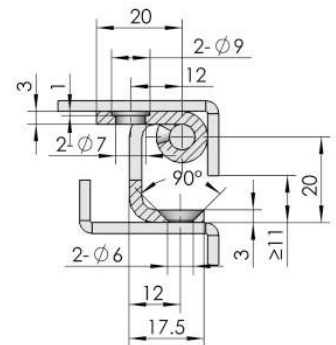
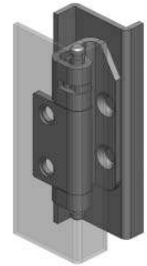
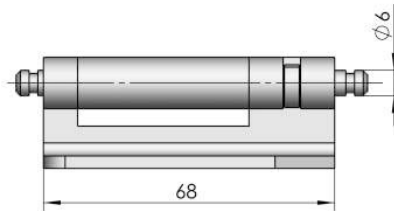
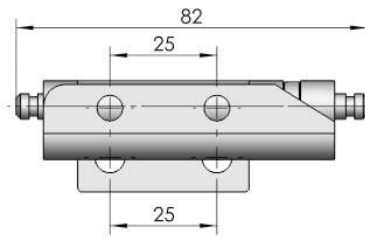


**CL138-3**



**Main material and finish:**  
Trivalent white zinc plated steel hinge and pin

**Application:**  
Opening angle 90°



Specification	Model
Left hinge	CL138-3-Z
Right hinge	CL138-3-Y



**CL139**



**Main material and finish:**  
White zinc plated steel hinge and pin

**Application:**  
Opening angle 135°

