



Quarter Turn Locks

Compression Locks & Latches

Handle Locks



Rod Control Locks

Electronic Locks

Canopy Locks, Handles & Door Stay

Hinges

9 Fold Accessories

Sealing Profiles

Fan Filter

Panel Fasteners

Sleeve & Termination

Wiring Accessories

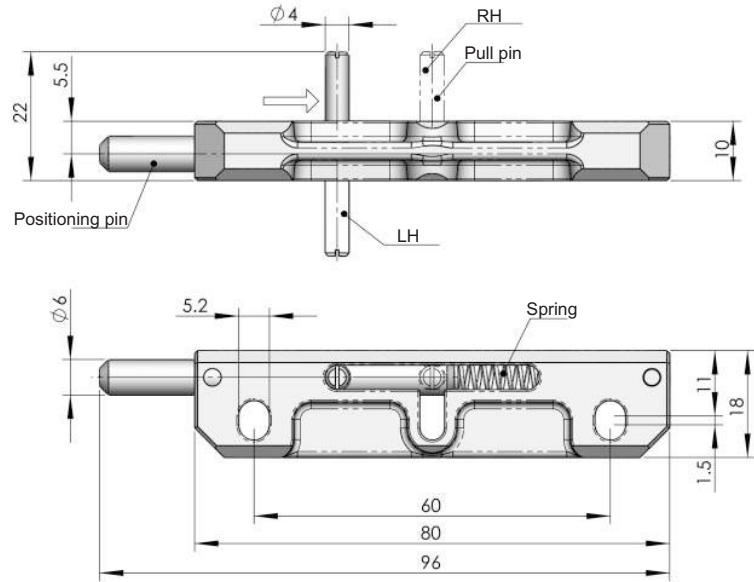
Connectors

CL106



Main material and finish:
Sand-spraying and nickel plated ZDC hinge, stainless steel shaft and spring

Application:
By changing the direction of pin to realise the shift between LH and RH

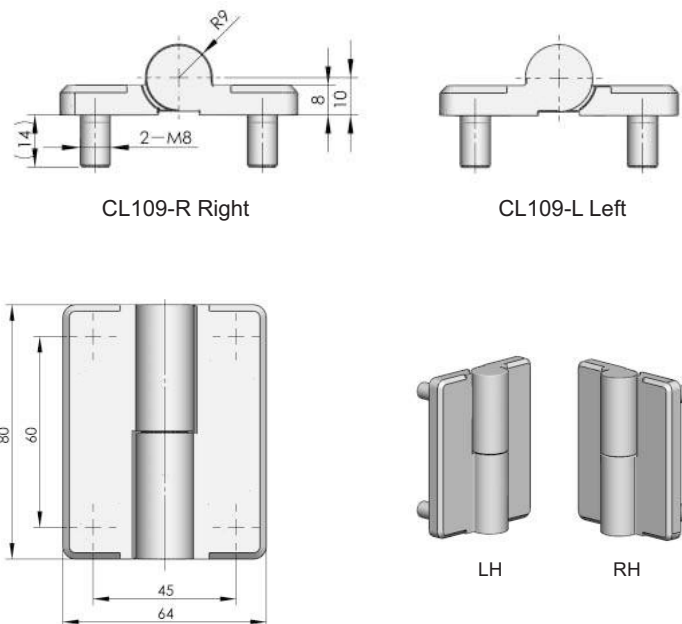


CL109



Main material and finish:
Black powder coated ZDC hinge and stainless steel screw

Application:
Opening angle 180°



Specification	Model
Left hinge	CL109-Z
Right hinge	CL109-Y