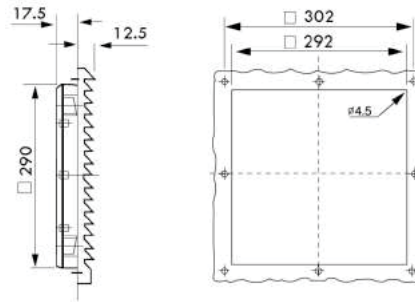
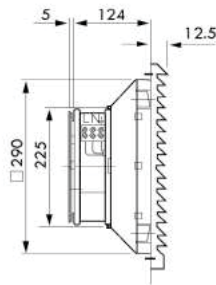
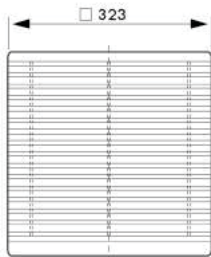




**Type of Material** : ABS  
**Standard color** :RAL 7035, RAL 7032, other colors on request  
**Protection degree** : Ip54  
**Fixing System** : Snap Fitting  
**Plate Thickness** : 1.5mm to 2.5mm  
**Storage Temperature** : from -40°C to +70°C  
**Type of Filter Media** : Thermo-Linked Progressive Structure  
**Filtering Class** : Class G3, according to En779



Fan and Filter APF 104---	Fan and Filter APF 204-01/11	Exit Filter APF 204-01	Installing Section APF 104---
------------------------------	---------------------------------	---------------------------	----------------------------------

Quarter Turn Locks

Compression Locks & Latches

Handle Locks

Rod Control Locks

Electronic Locks

Canopy Locks, Handles & Door Stay

Hinges

9 Fold Accessories

Sealing Profiles

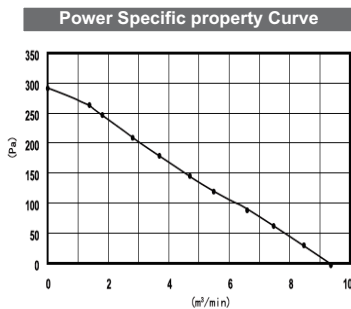
**Fan Filter**

Panel Fasteners

Sleeve & Termination

Wiring Accessories

Connectors



Fan and Filter	APF 104-01
Voltage/Frequency	230/50/60
Air flow, Free blowing	500/560m³/h
Air flow with Exit filter	360/390m³/h
Axial Fan	Capacitor operated
Rotated Current	0.29A/0.34A
Power	63W/79W
Noise Level	59/61dB(A)
Scope of Temperature	-10°C~+55°C
Exit filter	APF - 104
Contact us if special Voltage required	

