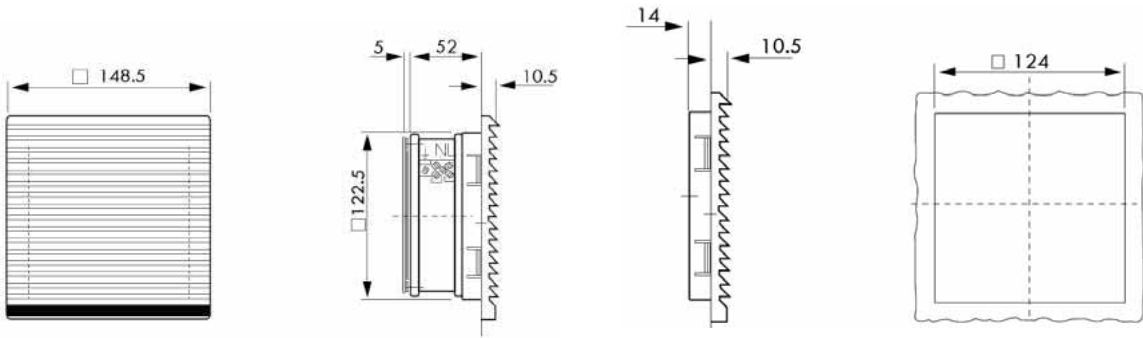




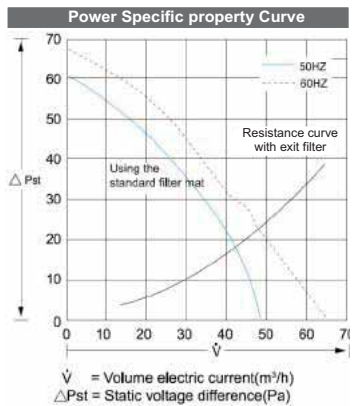
- Quarter Turn Locks
- Compression Locks & Latches
- Handle Locks
- Rod Control Locks
- Electronic Locks
- Canopy Locks, Handles & Door Stay
- Hinges
- 9 Fold Accessories
- Sealing Profiles
- Fan Filter**
- Panel Fasteners
- Sleeve & Termination
- Wiring Accessories
- Connectors



Type of Material : ABS
Standard color : RAL 7035, RAL 7032, other colors on request
Protection degree : Ip54
Fixing System : Snap Fitting
Plate Thickness : 1.5mm to 2.5mm
Storage Temperature: from -40°C to +70°C
Type of Filter Media : Thermo-Linked Progressive Structure
Filtering Class : Class G3, according to En779



Fan and Filter APF 101---	Fan and Filter APF 101/01/11	Exit Filter APF 101	Installing Section APF 101---
---------------------------	------------------------------	---------------------	-------------------------------



Fan and Filter	APF 101-01	APF 101-11
Voltage/Frequency	230/50/60	24(DC)
Air flow, Free blowing	55/66m³/h	
Air flow with Exit filter	43/50m³/h with APF 101	
Axial Fan	Self-start shielded pole motor	DC motor
Roted Current	0.14A/0.10A	0.30A
Power	22W/30W	7.2W
Noise Level	41/46dB(A)	
Scope of Temperature	-10°C~+55°C	
Exit filter	APF - 101	
Contact us if special Voltage required		

