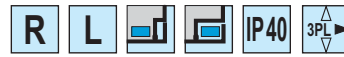
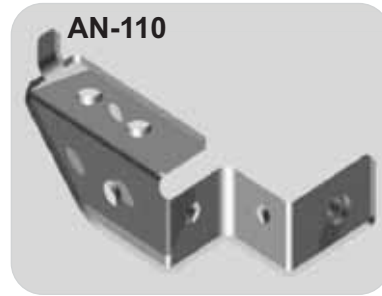


Specification	Model
LH	AN 110-1
RH	AN 110-2



Main Material and Finish:
White Zinc Plated Steel Hitch
with LH and RH Combination.

Quarter Turn
Locks

Compression
Locks &
Latches

Handle
Locks

Rod Control
Locks

Electronic
Locks

Canopy Locks,
Handles &
Door Stay

Hinges

9 Fold
Accessories

Sealing
Profiles

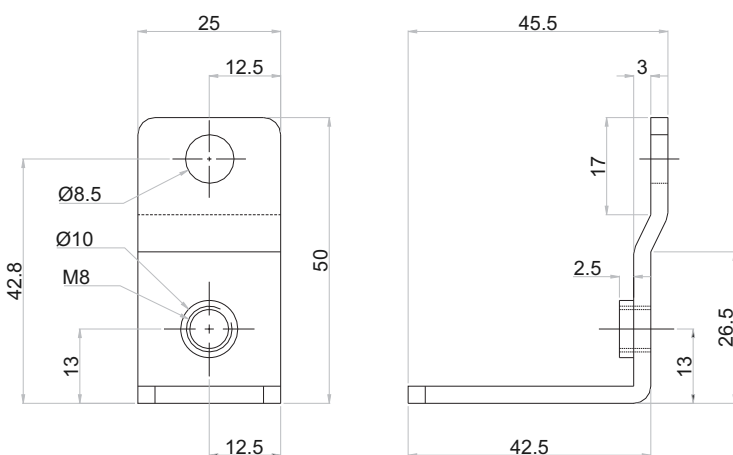
Fan Filter

Panel
Fasteners

Sleeve &
Termination

Wiring
Accessories

Connectors



Main Material and Finish:
White Zinc Plated Steel Hitch.