

Specification	Model
LH	AN 103-1
RH	AN 103-2



**AN-103**  
Main Material and Finish:  
Steel

Quarter Turn Locks

Compression Locks & Latches

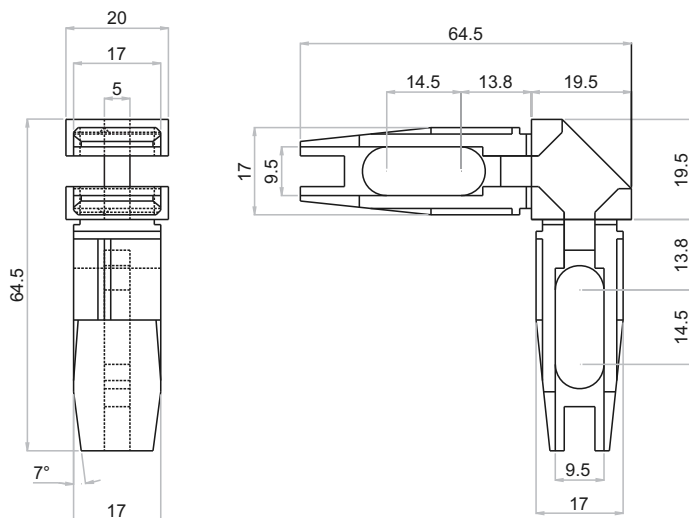
Handle Locks

Rod Control Locks

Electronic Locks

Canopy Locks, Handles & Door Stay

Hinges



**AN-104**  
Main Material and Finish:  
Zinc Die Cast of Black PA

9 Fold Accessories

Sealing Profiles

Fan Filter

Panel Fasteners

Sleeve & Termination

Wiring Accessories

Connectors