



Levelling Feet



Material :-

Base : Special High Quality Polyamide Base with Black color.
Articulated Stem : Threaded Zinc Plated Steel or Stainless Steel with regulation Hexagon
Rubber Pad (N)-Slip Disks : NBR Rubber

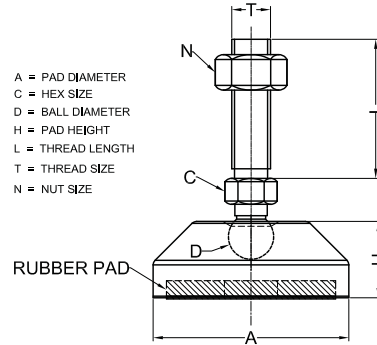
Features & Application:-

Special High Quality Polyamide material provide High Strength and the Special Knurling under the lower lip of the base provides the excellent stability and grip when using the levelling feet without Rubber Pad, even on surfaces that are not perfectly flat.
 Special Design Rubber Pad is an important but also critical component of Levelling Feet.
 Use of Rubber Pad give the base more stability and also provide excellent safety of your products.



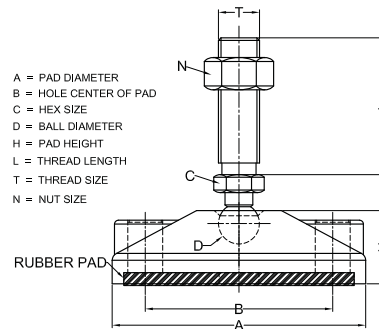
ALF60

ITEMCODE	A(∅)	H	D(∅)	T	L	N	C
ALF60-14-M12 X 148	60	23.60	14	M12	148	M12	14
ALF60-14-M12 X 98	60	23.60	14	M12	98	M12	14
ALF60-14-M12 X 43	60	23.60	14	M12	43	M12	14
ALF60-14-M10 X 148	60	23.60	14	M10	148	M10	14
ALF60-14-M10 X 98	60	23.60	14	M10	98	M10	14
ALF60-14-M10 X 43	60	23.60	14	M10	43	M10	14
ALF60-14-M8 X 148	60	23.60	14	M8	148	M8	14
ALF60-14-M8 X 98	60	23.60	14	M8	98	M8	14
ALF60-14-M8 X 43	60	23.60	14	M8	43	M8	14



ALF 80

ITEMCODE	A(∅)	B	H	D(∅)	T	L	N	C
ALF80-14-M16 X 148	80	55	18.50	14	M16	148	M16	17
ALF80-14-M16 X 98	80	55	18.50	14	M16	98	M16	17
ALF80-14-M16 X 43	80	55	18.50	14	M16	43	M16	17
ALF80-14-M12 X 148	80	55	18.50	14	M12	148	M12	14
ALF80-14-M12 X 98	80	55	18.50	14	M12	98	M12	14
ALF80-14-M12 X 43	80	55	18.50	14	M12	43	M12	14
ALF80-14-M10 X 148	80	55	18.50	14	M10	148	M10	14
ALF80-14-M10 X 98	80	55	18.50	14	M10	98	M10	14
ALF80-14-M10 X 43	80	55	18.50	14	M10	43	M10	14
ALF80-14-M8 X 148	80	55	18.50	14	M8	148	M8	14
ALF80-14-M8 X 98	80	55	18.50	14	M8	98	M8	14
ALF80-14-M8 X 43	80	55	18.50	14	M8	43	M8	14



ALF 100

ITEMCODE	A(∅)	B	H	D(∅)	T	L	N	C
ALF100-16-M16 X 148	100	73	28.50	16	M16	148	M16	17
ALF100-16-M16 X 98	100	73	28.50	16	M16	98	M16	17
ALF100-16-M16 X 43	100	73	28.50	16	M16	43	M16	17
ALF100-16-M12 X 148	100	73	28.50	16	M12	148	M12	17
ALF100-16-M12 X 98	100	73	28.50	16	M12	98	M12	17
ALF100-16-M12 X 43	100	73	28.50	16	M12	43	M12	17
ALF100-16-M20 X 98	100	73	28.50	16	M20	98	M20	24

Quarter Turn Locks

Compression Locks & Latches

Handle Locks

Rod Control Locks

Electronic Locks

Canopy Locks, Handles & Door Stay

Hinges

9 Fold Accessories

Sealing Profiles

Fan Filter

Panel Fasteners

Sleeve & Termination

Wiring Accessories

Connectors