

Specification	Model
Steel	AHG 301
Stainless Steel	AHG 301-1S

AHG 301



Main material and finish:

White Zinc Plated Steel Hinge & Pin. Also Available In Stainless Steel.

Quarter Turn Locks

Compression Locks & Latches

Handle Locks

Rod Control Locks

Electronic Locks

Canopy Locks, Handles & Door Stay

Hinges

9 Fold Accessories

Sealing Profiles

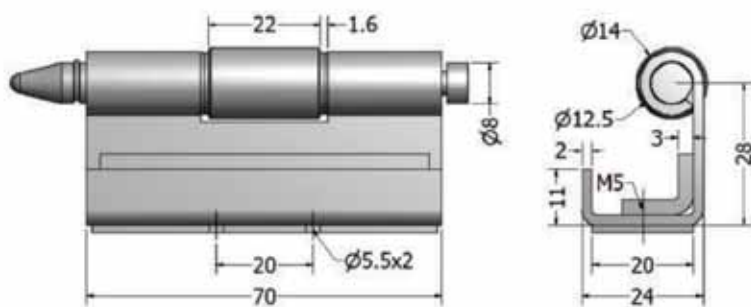
Fan Filter

Panel Fasteners

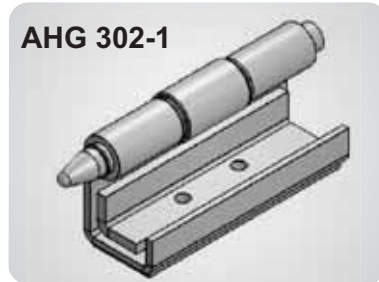
Sleeve & Termination

Wiring Accessories

Connectors



AHG 302-1



Main material and finish:

White Zinc Plated Steel Hinge & Pin. Also Available In Stainless Steel.