



Quarter Turn Locks

Compression Locks & Latches

Handle Locks

Rod Control Locks

Electronic Locks

Canopy Locks, Handles & Door Stay

Hinges

9 Fold Accessories

Sealing Profiles

Fan Filter

Panel Fasteners

Sleeve & Termination

Wiring Accessories

Connectors

AC AXIAL FAN

Series 80 80*80*25mm



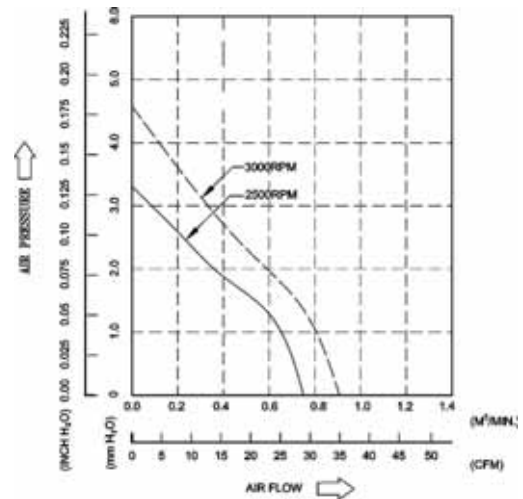
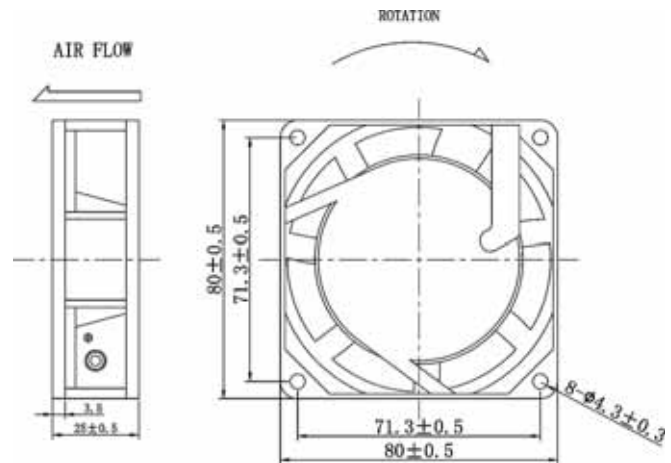
Material:

Impeller: Plastic(UL 94V-O)

Frame: Alumium Alloy

Impeller: 5 Blades

Mass: 240g



PART NO.	Leadwire Terminal	B.S	VAC	FREQ	Amp	Watt	RPM	CFM	m ³ /m	mmH2O	Inch-H2O	dB-A
SAB20825BH	(L/T)	Ball	220/240	50/60	0.07/0.06	12/10	2500/3000	28/35	0.8/1.0	3.30/4.57	0.13/0.18	30/33
SAB20825SH	(L/T)	Sleeve	220/240	50/60	0.07/0.06	12/10	2500/3000	28/35	0.8/1.0	3.30/4.57	0.13/0.18	30/33
SAA10825BH	(L/T)	Ball	110/120	50/60	0.14/0.12	11/10	2500/3000	28/35	0.8/1.0	3.30/4.57	0.13/0.18	30/33
SAA10825SH	(L/T)	Sleeve	110/120	50/60	0.14/0.12	11/10	2500/3000	28/35	0.8/1.0	3.30/4.57	0.13/0.18	30/33

