

Item	Specification	
	A	B
MS850-2	54	69
MS850-2A	44	59



Main material and finish:
Gray powder coated ALU housing, handle, padlock device, cover and shaft, zinc-plated steel cam and keeper

Quarter Turn Locks

Compression Locks & Latches

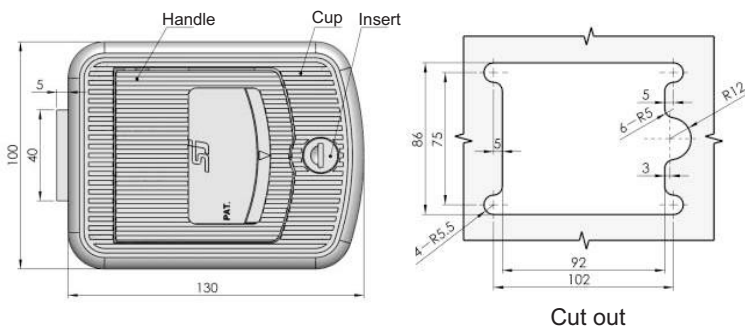
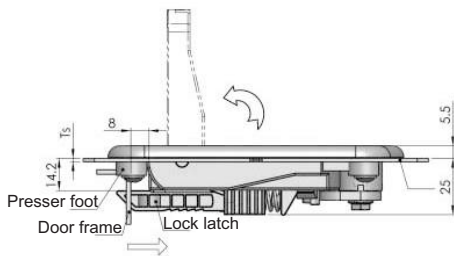
Handle Locks

Rod Control Locks

Electronic Locks

Canopy Locks, Handles & Door Stay

Hinges



Main material and finish:
Black PA Remarks: Default key K160

9 Fold Accessories

Sealing Profiles

Fan Filter

Panel Fasteners

Sleeve & Termination

Wiring Accessories

Connectors