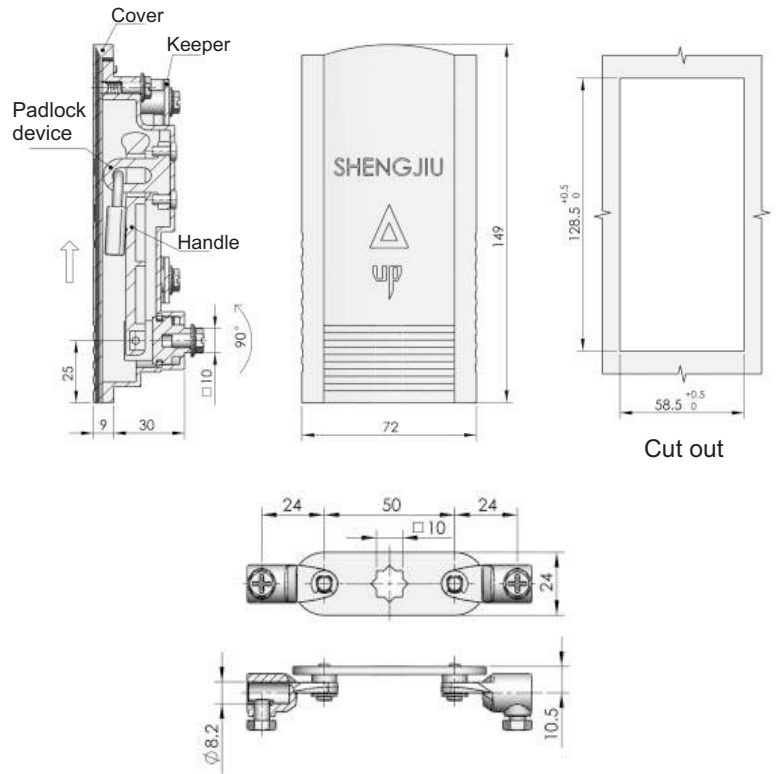




Quarter Turn Locks
Compression Locks & Latches
Handle Locks
Rod Control Locks
Electronic Locks
<b>Canopy Locks, Handles &amp; Door Stay</b>
Hinges
9 Fold Accessories
Sealing Profiles
Fan Filter
Panel Fasteners
Sleeve & Termination
Wiring Accessories
Connectors



**MS850-1**  
**Main material and finish:**  
Gray powder MS850-1A coated ZDC housing, handle, padlock device and cover, zinc-plated steel cam and keeper



**MS850-1A**  
**Main material and finish:**  
Gray powder coated ALU housing, handle and cover, ZDC padlock device, zinc-plated steel shaft and keeper

