

Specification	Model
Left hinge	CL282-2-Z
Right hinge	CL282-2-Y



Main material and finishing:
Pocked black powder coated ZDC female hinge, stainless steel shaft

Application:
Opening angle 180°

Quarter Turn Locks

Compression Locks & Latches

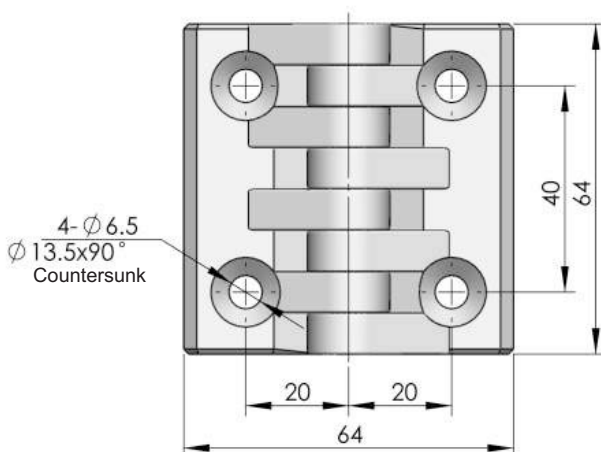
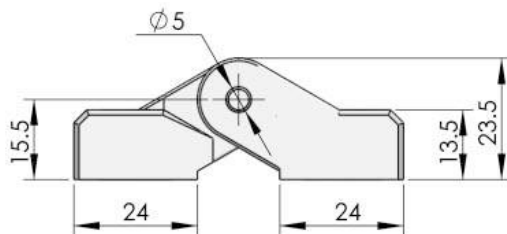
Handle Locks

Rod Control Locks

Electronic Locks

Canopy Locks, Handles & Door Stay

Hinges



Main material and finish:
Black PA hinge, white zinc plated steel pin

Application:
Opening angle 180°

9 Fold Accessories

Sealing Profiles

Fan Filter

Panel Fasteners

Sleeve & Termination

Wiring Accessories

Connectors