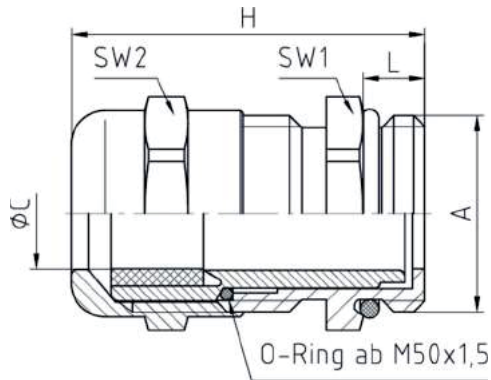




EMC-Cable Gland



Dome nut	Brass CuZn39Pb3, nickel-plated
Lamellar insert	Polyamide PA6 V-2
Sealing ring	Polychloroprene-Nitrile rubber CR/NBR
Gland body	Brass CuZn39Pb3, nickel-plated
O-ring	Nitrile rubber NBR
Connecting thread	metric, as per EN 60423

Properties

	<ul style="list-style-type: none"> for cables with shielding integrated anchorage protection against twisting, wide sealing and clamping range
Temperature range (°C)	-20°C / +100°C (dynamic) -40°C (static, short term)
Protection grade	68
Test standard	EN 50262 UL 514B

Features

Connecting thread standard length

Item No.	A	ØC	L	SW1	SW2	H	STD. PACKING (MTR.)
50.612M/EMV	M12x1,5	3-6	5	14	14	25	100
50.616M/EMV	M16x1,5	5-9	5	17	17	30	100
50.620 IWEMV	M20x1,5	9-13	6	22	22	33.5	100
50.625 IWEMV	M25x1,5	11-16	7	27	27	36.5	50
50.632 IWEMV	M32x1,5	14-21	8	34	34	38	25
50.640 IWEMV	M40x1,5	19-27	8	43	43	41	10
50.650 M/EMV	M50x1,5	24-35	9	55	55	49.5	5
50.663 M/EMV	M63x1,5	32-42	10	65	65	52.5	5
50.663M1/EMV	M63x1,5	38-48	10	65	65	52.5	5

Quarter Turn Locks

Compression Locks & Latches

Handle Locks

Rod Control Locks

Electronic Locks

Canopy Locks, Handles & Door Stay

Hinges

9 Fold Accessories

Sealing Profiles

Fan Filter

Panel Fasteners

Sleeve & Termination

Wiring Accessories

Connectors