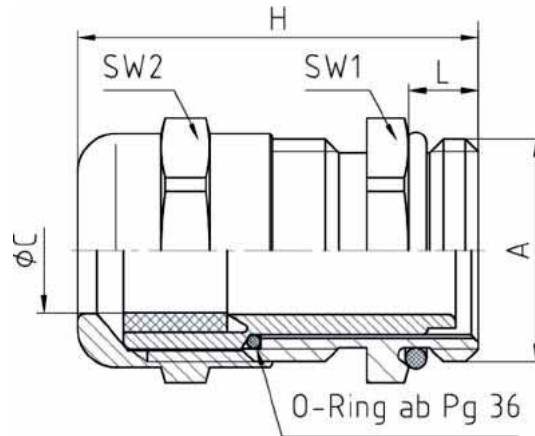




Brass Cable Gland



Dome nut	Brass CuZn39Pb3, nickel-plated
Lamellar insert	Polyamide PA6 V-2
Sealing ring	Polychloroprene-Nitrile rubber CR/NBR
Gland body	Brass CuZn39Pb3, nickel-plated
O-ring	Nitrile rubber NBR
Connecting thread	Pg as per DIN 40430

Properties

	<ul style="list-style-type: none"> integrated anchorage protection against twisting, wide sealing and clamping range easy-to-install
Temperature range (°C)	-20°C / +100°C (dynamic) -40°C (static, short term)
Protection grade	68

Features

Connecting thread standard length - PG Series

Part No.	A	ØC	L	SW1	SW2	H	Std. Packing (Pcs)
50.007	Pg 7	3 - 6,5	5	14	14	24	100
50.009	Pg 9	4 - 8	6	17	17	29	100
50.011	Pg 11	5 - 10	6	20	20	29,5	50
50.013	Pg 13,5	6-12	6,5	22	22	31,5	50
50.016	Pg 16	10-14	6,5	24	24	31,5 ¹	50
50.021	Pg 21	13 - 18	7	30	30	34	50
50.029	Pg 29	18-25	8	40	40	39	25
50.036	Pg 36	24 - 32	9	50	50	45	10
50.042	Pg 42	30 - 38	10	57	57	49	5
50.048	Pg 48	34-44	10	64	64	52	5

Connecting thread standard length - Metric Series

Part No.	A	ØC	L	SW1	SW2	H	Std. Packing (Pcs)
50.612 M	M12x1,5	3-6	5	14	14	25	100
50.616 M	M16x1,5	5-9	5	17	17	30	100
50.620 M	M20x1,5	9-13	6	22	22	33,5	100
50.625 M	M25x1,5	11 -16	7	27	27	36,5	50
50.632 M	M32x1,5	14-21	8	34	34	38	25
50.640 M	M40x1,5	19-27	8	43	43	41	10
50.650 M	M50x1,5	24-35	9	55	55	49,5	5
50.663 M	M63x1,5	32-42	10	65	65	52,5	5
50.663 M1	M63x1,5	38-48	10	65	65	52,5	5

Quarter Turn Locks
Compression Locks & Latches
Handle Locks
Rod Control Locks
Electronic Locks
Canopy Locks, Handles & Door Stay
Hinges
9 Fold Accessories
Sealing Profiles
Fan Filter
Panel Fasteners
Sleeve & Termination
Wiring Accessories
Connectors