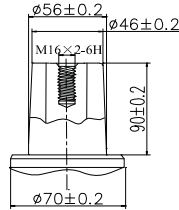
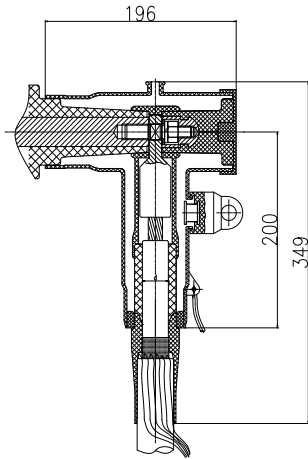




24kV, 630A Shielded Fore-connector with cable adapter & jacket seal



Bushing Interface Dimensions

- (1) DIN std. 47636-1986
- (2) EN50180 & 50181 interface C



Material :
EPDM or Silicon

Model Number:

CEE KQT-24/630-J-X-X-XX
B: Bimetal Lug
Blank: Copper Lug

Cable Adapter Code	Cable Adapter Size	Cable Insulation Range		Conductor Cross Section mm ²		
		Inches	mm	6/10(12) kV	8.7/15(17.5) kV	12/20(24) kV
A	Size A	.37~.47	9.5~12.0	16		
B	Size B	.45~.55	11.5~14.0	16,25		
C	Size C	.53~.65	13.5~16.5	25,35,50	25	
D	Size D	.61~.73	15.5~18.5	50,70	35,50	25
E	Size E	.71~.83	18.0~21.0	95	70	35
F	Size F	.79~.91	20.0~23.0	95,120	95	50,70
G	Size G	.87~.98	22.0~25.0	150	120	95
H	Size H	.95~1.06	24.0~27.0	185	150	95,120
I	Size I	1.02~1.18	26.0~30.0	240	185	150
J	Size J	1.10~1.26	28.0~32.0	300	240	185
K	Size K	1.22~1.34	31.0~34.0	400	300	240
L	Size L	1.30~1.42	33.0~36.0	500	400	300
M	Size M	1.38~1.54	35.0~39.0		500	400

Rating:

Per or exceed IEC 60502-4:1997
 24kV Voltage Class (12kV Max phase-to – ground)
 125kV BIL and Full Wave Crest – Impulse Withstand
 54kV AC - 5 Minutes Withstand
 Partial Discharge : ≤10pcs@20kV
 630 Amp - Continuous

Quarter Turn Locks

Compression Locks & Latches

Handle Locks

Rod Control Locks

Electronic Locks

Canopy Locks, Handles & Door Stay

Hinges

9 Fold Accessories

Sealing Profiles

Fan Filter

Panel Fasteners

Sleeve & Termination

Wiring Accessories

Connectors

