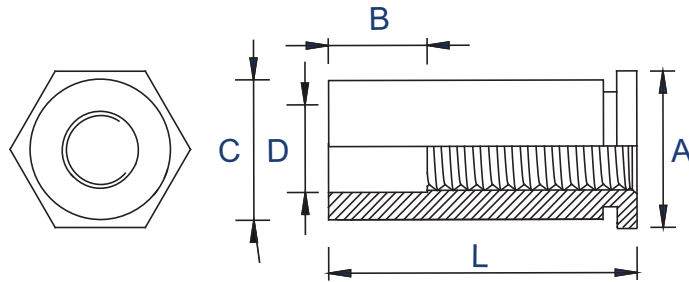




## Through Standoffs

Zinc Plated Steel : AR-SO | Stainless Steel : AR-SOS

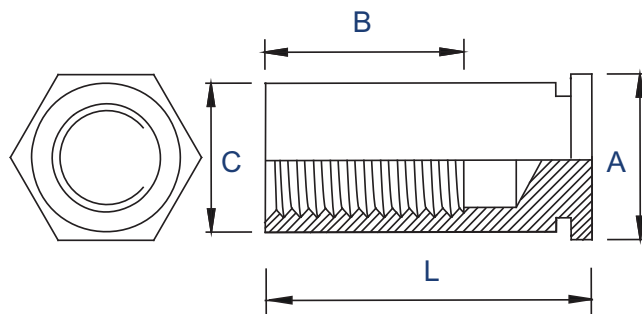


### Metric Dimensions

Thread	M2, M2.5, M3	M3alt	M4	M5											
C +0.0 -0.13	4.2	5.39	7.12	7.12											
D counterbore dia ± 0.13	3.2	3.2	4.8	5.35											
A nom	4.8	6.4	7.9	7.9											
Min rec sheet thickness	1.0	1.0	1.27	1.27											
Hole size +0.08 -0.00	4.22	5.41	7.14	7.14											
Min distance to edge of sheet	6	6.8	8	8											
Length (mm) tolerance +0.05/-0.13	3	4	5	6	7	8	10	12	14	16	18	20	22	25	
'B' Dim (mm)	N/A				4				8				11		

## Blind Standoffs

Zinc Plated Steel : AR-BSO | Stainless Steel : AR-BSOS



### Metric Dimensions

Thread	M2, M2.5, M3	M3alt	M4	M5								
C +0.0 -0.13	4.2	5.39	7.12	7.12								
A nom	4.8	6.4	7.9	7.9								
Min rec sheet thickness	1.0	1.0	1.27	1.27								
Hole size +0.08 -0.00	4.22	5.41	7.14	7.14								
Min distance to edge of sheet	6	6.8	8	8								
Length (mm) tolerance +0.05/-0.13	5	6	7	8	10	12	14	16	18	20	22	25
'B' Dim (mm)	2.8	3.2	3.6	4	5	6.5					9.5	

Quarter Turn Locks

Compression Locks & Latches

Handle Locks

Rod Control Locks

Electronic Locks

Canopy Locks, Handles & Door Stay

Hinges

9 Fold Accessories

Sealing Profiles

Fan Filter

Panel Fasteners

Sleeve & Termination

Wiring Accessories

Connectors